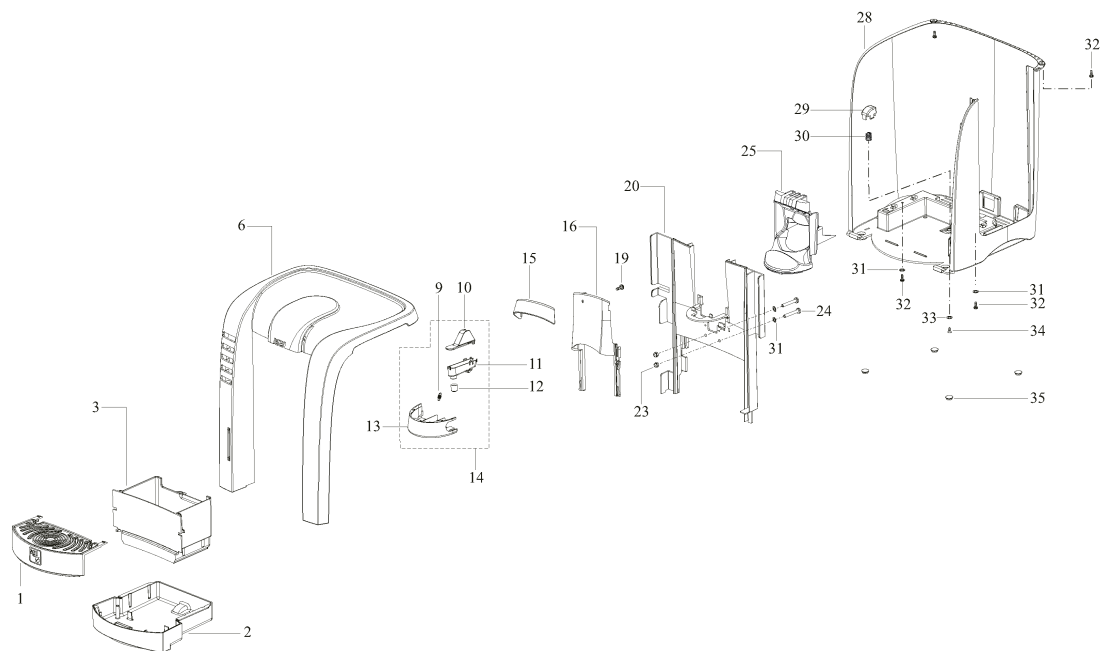
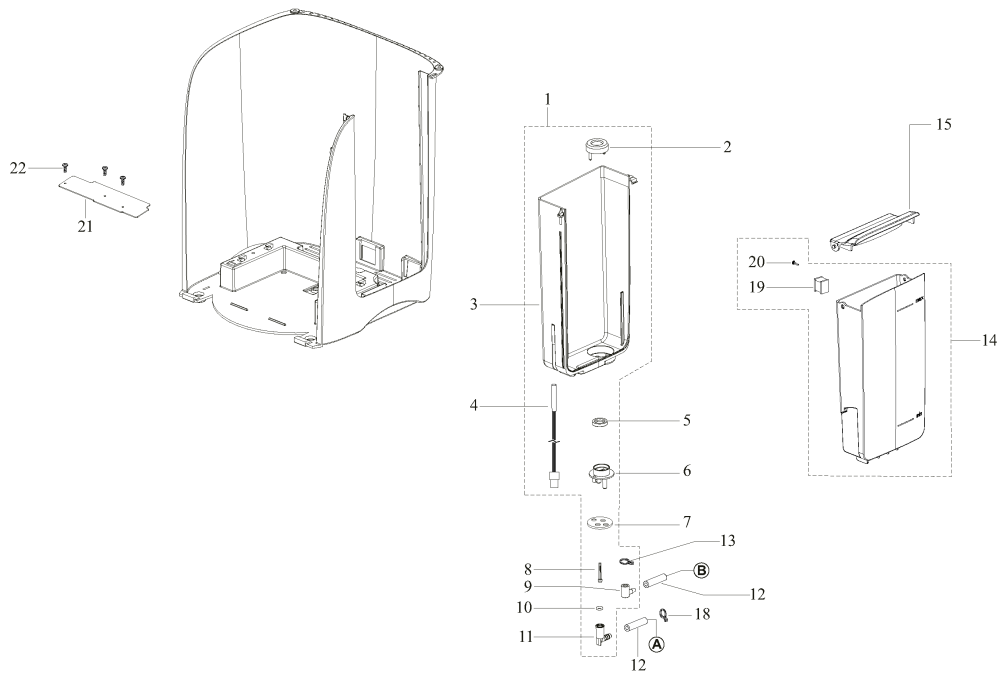


## **Rotary Lux Pod UL 120V 60HZ**



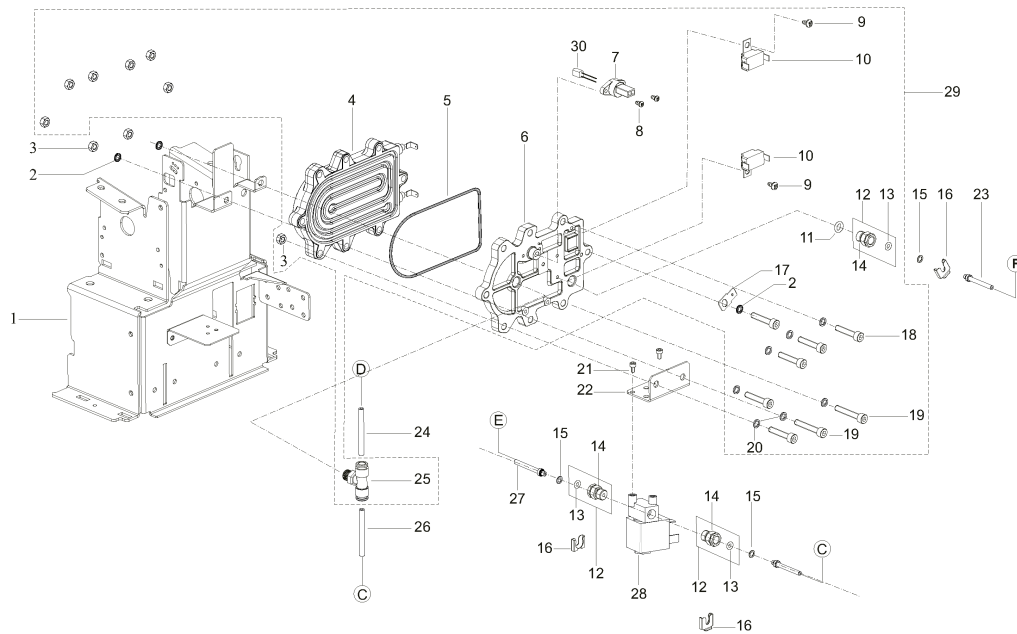
---

	<b>Code</b>	<b>Description</b>	<b>Notes</b>
01	501917	CUP SUPPORT GRID. CHROME	
02	502101	DRIP TRAY, BLACK UL	
03	502102	DRAWER, CAPSULE/PODS, BLACK UL	
06	502103	BODYWORK, BLACK UL	
09	501940	SPRING FOR REGULATOR	
10	501938	REGULATOR COVER	
11	501937	SWIVEL REGULATOR	
12	501939	REGULATOR EXTENSION	
13	501936	COFFEE NOZZLE. CHROME	
14	501941	ASSEMBLED COFFEE NOZZLE + REGULATOR	
15	501935	DOOR HANDLE. CHROME	
16	502106	DOOR, BLACK UL	
19	500128	SELF-TAPPING SCREW 2.9X9.5	
20	502107	FRONT PANEL, BLACK UL	
23	501969	CAP HEAD NUT M3	
24	500900	SCREW M3X16	
28	502109	BASE, BLACK UL	
29	501951	PUSH BUTTON	
30	501952	SPRING	
31	500055	WASHER 4.3X12X1	
32	500242	SELF-TAPPING SCREW 3.5X9.5	
33	501558	FLAT WASHER 4.3*9	
34	500217	SELF-TAPPING SCREW 3.5X13	
35	500027	FOOT	



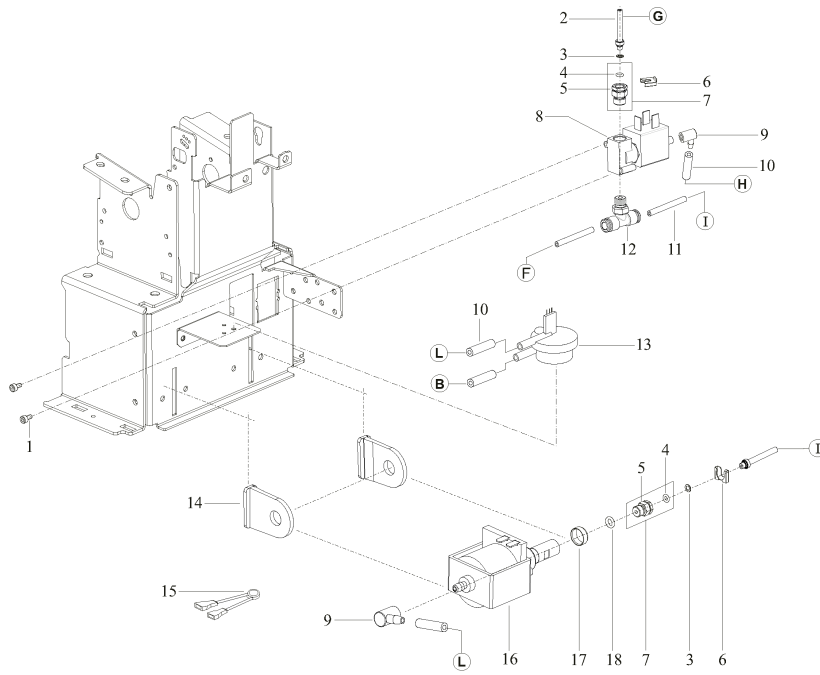
---

	<b>Code</b>	<b>Description</b>	<b>Notes</b>
01	502112	ASSEMBLED TANK CONVEYOR UL	
02	500807	COVER * TANK VALVE	
03	502111	BASE-TANK CONVEYOR UL	
04	501932	SENSOR	
05	500808	TANK GASKET DI-062	
06	500809	VALVE BASE	
07	500812	TANK VALVE GASKET	
08	500815	DUMP VALVE PIN	
09	500371	BEND	
10	500813	O RING M0080-10 8*1 NBR	
11	501931	DISCHARGE VALVE	
12	500010	SILICONE HOSE 4X8 (1 MT)	
13	500372	CLIP	
14	501910	TANK	
15	502116	COVER FOR WATER TANK, BLACK UL	
18	500961	HOSE CLIP	
19	500227	FLOATER	
20	500228	CLIP	
21	502154	PROTECTION BRACKET	
22	500242	SELF-TAPPING SCREW 3.5X9.5	



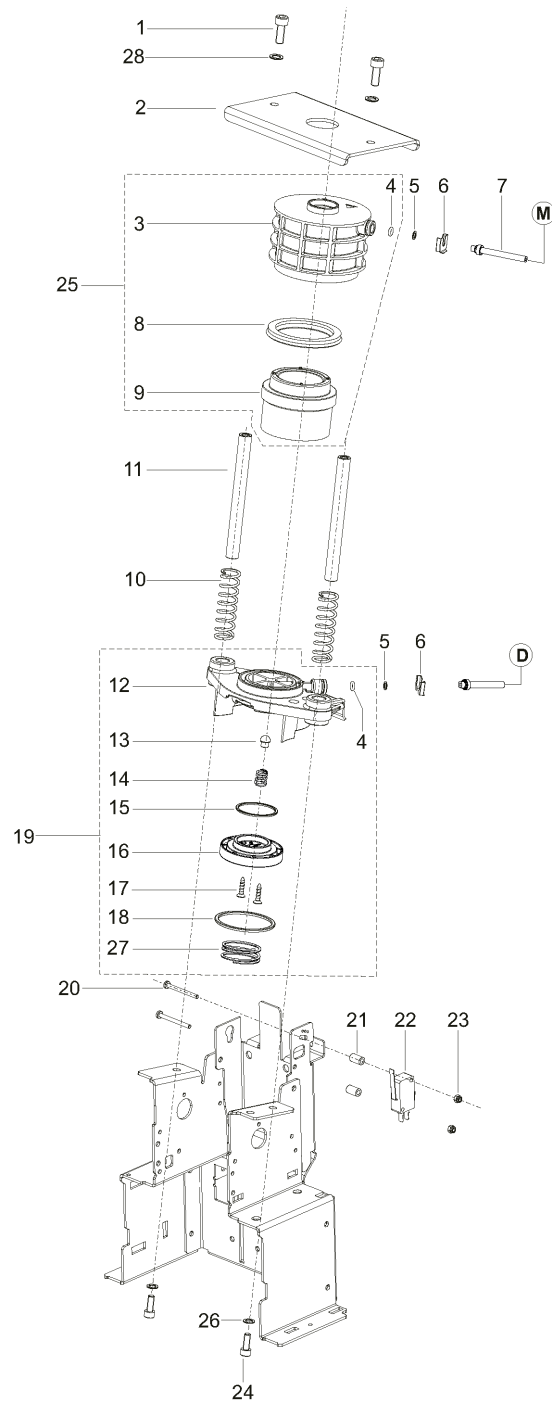
---

	<b>Code</b>	<b>Description</b>	<b>Notes</b>
01	502011	FRAME	
02	500059	TOOTHED WASHER /5	
03	501600	NUT M5	
04	502150	RESISTOR BOILER 120V 800W	
05	502010	OR 3375 VITON	
06	502009	TOP BOILER PLATE	
07	502032	SENSOR SUPPORT	
08	500128	SELF-TAPPING SCREW 2.9X9.5	
09	500408	SELF-TAPPING SCREW 3.5X6.5	
10	502119	THERMAL FUSE 215°C	
11	500157	OR 2025 VITON	
12	500077	STRAIGHT UNION +OR	
13	500073	OR 2015 VITON	
14	501140	1/8 GAS STRAIGHT CONNECTION	
15	500031	WASHER 4.2X6.8X0.5	
16	500064	SPRING FOR FAST COUPLING	
17	500060	FASTON STRAIGHT 6.3X0.8	
18	502005	SCREW M5X25 CE	
19	500048	SCREW M5X35	
20	502004	SPRING WASHER Ø5	
21	501125	SCREW M4X6	
22	502006	BRACKET	
23	501999	TEFLON HOSE L=220MM	
24	501964	TEFLON HOSE L=190MM D.4X2	
25	502003	RAPID WASTE OUTLET UNION TEE	
26	501906	TEFLON HOSE L=100MM 4X2 NEW	
27	501114	TEFLON HOSE L=190MM	
28	502149	SOLENOID VALVE, 2-WAY 120V 60HZ	
29	502157	BOILER, ASSEMBLED 120V UL	
30	502033	TEMPERATURE SENSOR	



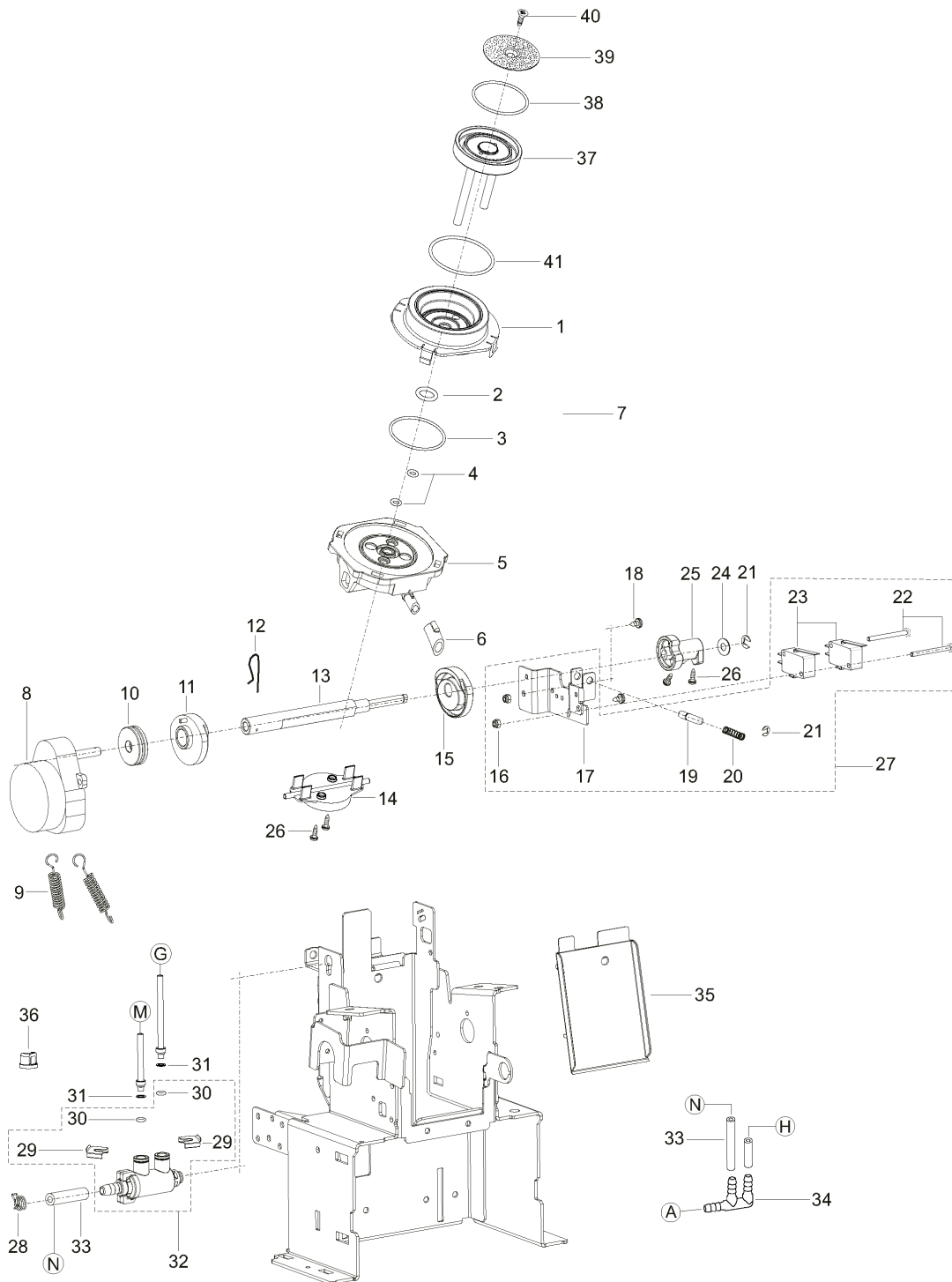
---

	<b>Code</b>	<b>Description</b>	<b>Notes</b>
01	500766	SCREW M3X6	
02	501575	TEFLON HOSE L=220MM	
03	500031	WASHER 4.2X6.8X0.5	
04	500073	OR 2015 VITON	
05	501140	1/8 GAS STRAIGHT CONNECTION	
06	500064	SPRING FOR FAST COUPLING	
07	500077	STRAIGHT UNION +OR	
08	502148	SOLENOID VALVE, 3-WAY 120V 60HZ	
09	500371	BEND	
10	500962	SILICONE HOSE L=270MM D.4X8	
11	501906	TEFLON HOSE L=100MM 4X2 NEW	
12	502003	RAPID WASTE OUTLET UNION TEE	
13	502000	VOLUMETRIC COUNTER	
14	501998	PUMP SUPPORT BEND	
15	500328	THERMAL PROTECTOR T-120	
16	500684	PUMP 120V 60HZ	
17	500080	BUSHING	
18	500062	OR 2021 VITON	



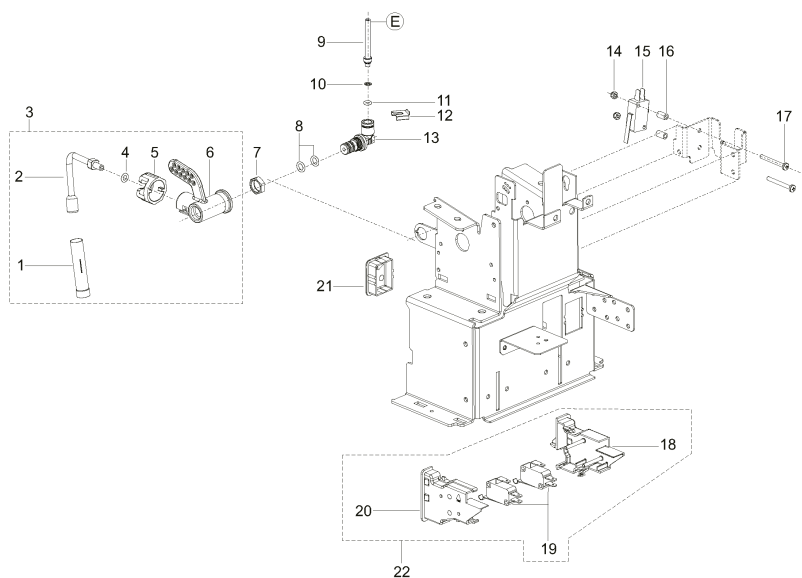
---

	<b>Code</b>	<b>Description</b>	<b>Notes</b>
01	500789	SCREW M6X16	
02	501959	BOTTOM BRACKET	
03	501961	TOP HYDRAULIC CYLINDER	
04	500073	OR 2015 VITON	
05	500031	WASHER 4.2X6.8X0.5	
06	500064	SPRING FOR FAST COUPLING	
07	501960	TEFLON HOSE L=100MM 4X2	
08	501034	LIP SEAL EPDM70	
09	501962	PISTON	
10	501966	SPRING H=55 MM	
11	501965	COLUMN	
12	501963	UPPER CAPS/POD SUPPORT. GUIDED	
13	500003	PERFORATOR VALVELET	
14	501970	SPRING H=14 MM	
15	502052	OR 3150 (37.77X2.62) VITON	
16	502053	UPPER POD SUPPORT	
17	501968	SELF-TAPPING SCREW 3.5X13 INOX	
18	502054	OR 147 (42.86 X 3.53) SILICONE	
19	502055	ASSEMBLED UPPER POD SUPPORT	
20	500681	SCREW M3X30	
21	501972	SPACER L=9.5 MM	
22	501974	MICROSWITCH	
23	500091	SELF-LOCKING NUT M3	
24	500789	SCREW M6X16	
25	502026	CYLINDER+ASSEMBLED PISTON	
26	502027	WASHER 6.4X18X1.5	
27	502056	SPRING H13	
28	502057	WASHER 6X24	



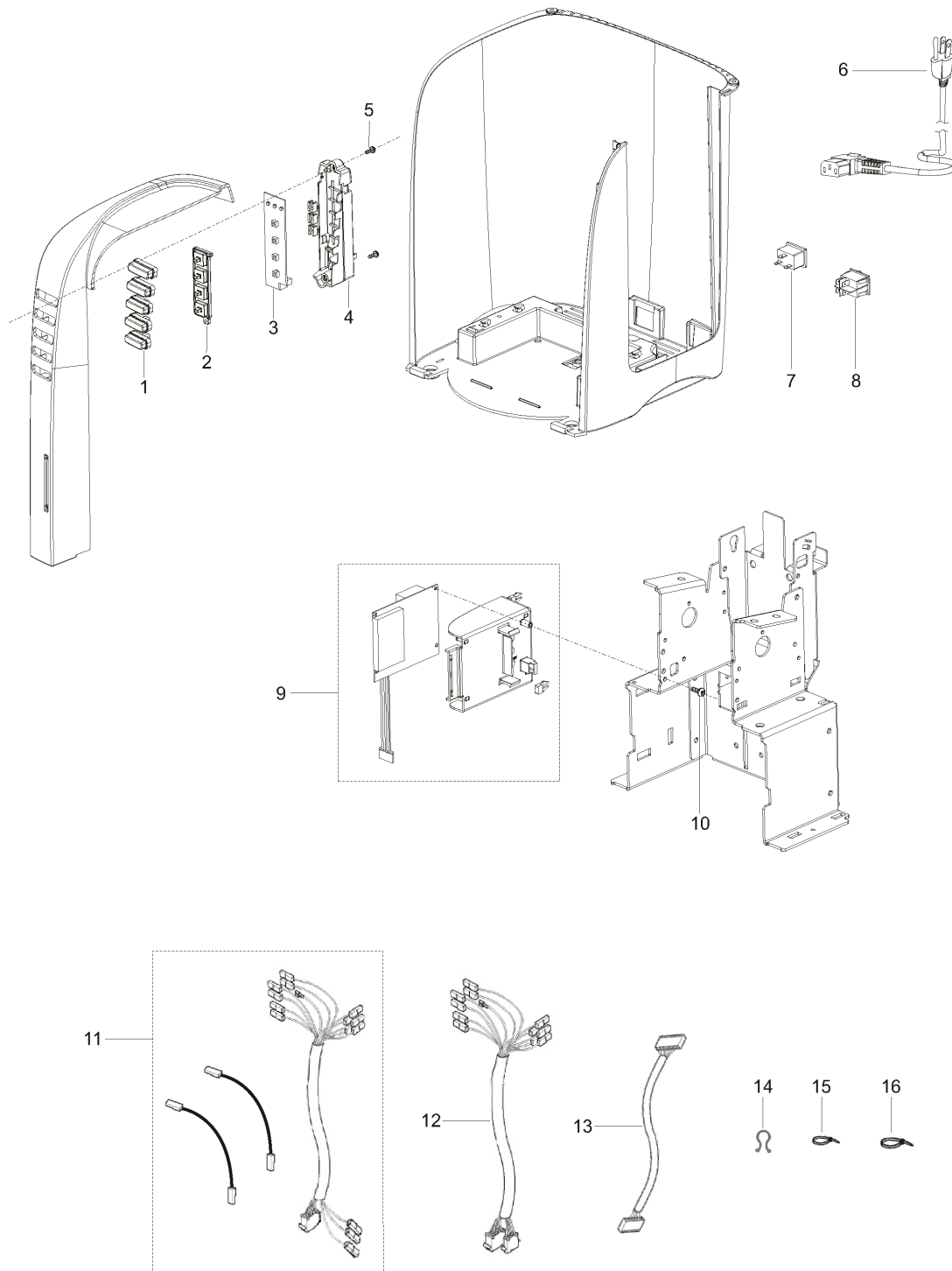
---

	<b>Code</b>	<b>Description</b>	<b>Notes</b>
01	502058	BOTTOM POD HOLDER	
02	501988	OR 3040 SILICONE	
03	501989	OR 2150 SILICONE	
04	501766	OR 2018 VITON	
05	501986	SUPPORT FOR ROTATING CAPSULE SUPPORT	
06	501990	DISPENSING SPOUT	
07	502059	ROTATING POD SUPPORT. ASSEMBLED	
08	502126	REDUCTION GEAR 120V 60HZ	
09	501982	SPRING	
10	501984	MOTOR CENTERING BUSHING	
11	501992	CAM BUSHING. REDUCTION GEAR SIDE	
12	501983	SPLIT PIN	
13	501987	REDUCTION GEAR SHAFT	
14	502060	POD SHOWER HOLDER PLATE. DIAMETER 44	
15	501993	CAM BUSHING. MICROSWITCH SIDE	
16	500091	SELF-LOCKING NUT M3	
17	501975	MICRO SUPPORT BRACKET	
18	500408	SELF-TAPPING SCREW 3.5X6.5	
19	501976	PIN	
20	501977	SPRING H=22 MM	
21	501442	SEEGER-RING	
22	500681	SCREW M3X30	
23	501974	MICROSWITCH	
24	501220	FLAT WASHER 6*13*0.8	
25	502061	POD MICRO CAM	
26	500128	SELF-TAPPING SCREW 2.9X9.5	
27	501978	MICRO SUPPORT BRACKET. ASSEMBLED (CAPS/POD SUPPORT ROTATION)	
28	500961	HOSE CLIP	
29	500064	SPRING FOR FAST COUPLING	
30	500073	OR 2015 VITON	
31	500031	WASHER 4.2X6.8X0.5	
32	502002	RAPID WASTE OUTLET	
33	500010	SILICONE HOSE 4X8 (1 MT)	
34	502001	3-WAY UNION	
35	502029	CASING	
36	500492	CAP	
37	502062	POD EXTRACTION PLATE	
38	500461	OR 4106 SILICONE	
39	502063	SHOWER FILTER	
40	501133	SELF-TAPPING SCREW 3.5X9.5	
41	502064	OR 2125 (31.47X1.78) SILICONE	



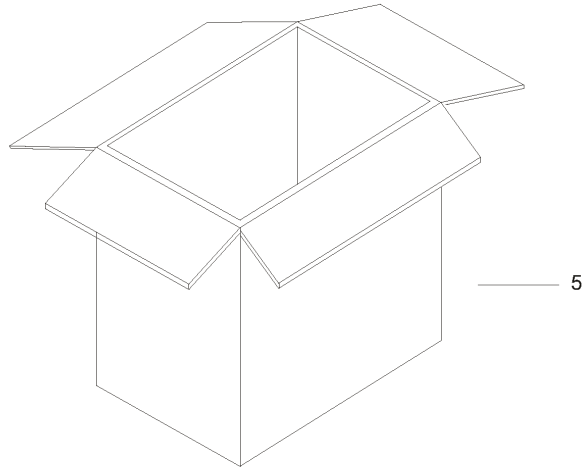
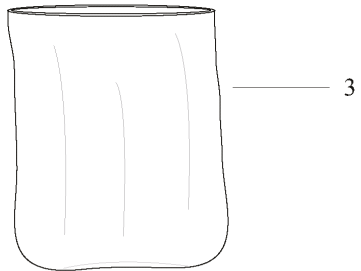
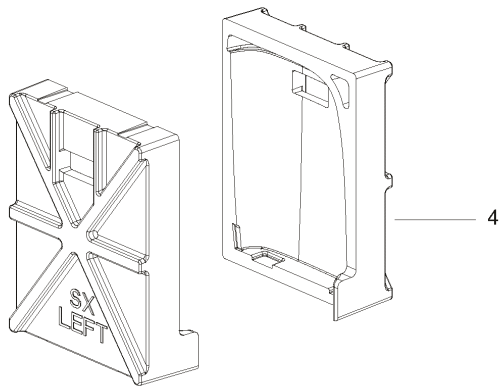
---

	<b>Code</b>	<b>Description</b>	<b>Notes</b>
01	500103	MILK FOAMER TUBE	
02	501954	STEAM TUBE	
03	501958	STEAM TUBE. ASSEMBLED	
04	501766	OR 2018 VITON	
05	501956	CAP	
06	501955	UNION FOR STEAM TUBE	
07	500156	STEAM TUBE FASTENING NUT	
08	500157	OR 2025 VITON	
09	501114	TEFLON HOSE L=190MM	
10	500031	WASHER 4.2X6.8X0.5	
11	500073	OR 2015 VITON	
12	500064	SPRING FOR FAST COUPLING	
13	501957	90° UNION	
14	500091	SELF-LOCKING NUT M3	
15	500273	MICROSWITCH GW	
16	502014	SPACER H=6.4	
17	500636	SCREW M3X25	
18	501995	RH GUARD MICRO	
19	501997	MICROSWITCH	
20	501996	LH GUARD MICRO	
21	502007	CAP	
22	502028	DRAWER MICROSWITCH. ASSEMBLED	



---

	<b>Code</b>	<b>Description</b>	<b>Notes</b>
01	501924	ROTARY KEYS LUSSO	
02	501923	BUTTON MEMBRANE	
03	501922	ELECTRONIC CARD. BUTTON PAD LUX C.CARD	
04	501921	BUTTON PAD HOLDER	
05	500242	SELF-TAPPING SCREW 3.5X9.5	
06	500259	POWER SUPPLY CABLE 120V (UL)	
07	500261	CONNECTOR	
08	500593	MAIN SWITCH	
10	500242	SELF-TAPPING SCREW 3.5X9.5	
11	502151	ELECTRIC SYSTEM LUSSO UL	
12	502135	ELECTRIC SYSTEM, AUXILIARY SIGNALS	
13	502136	ELECTRIC SYSTEM, VOLUMETRIC COUNTER UL	
14	500192	WIRE GLAND	
15	500648	CLIP L=95	
16	502015	CLIP L=135	



	<b>Code</b>	<b>Description</b>	<b>Notes</b>
02	502016	STICKER DOOR OPENING	
03	501049	POLYETHYLENE BAG 40X45X70	
04	502017	SHELL PACKAGING	
05	502018	PACKAGING BOX	
06	500713	STICKER "HOUSEOLD USE ONLY"	
07	500712	STICKER "ANTISHOCK"	