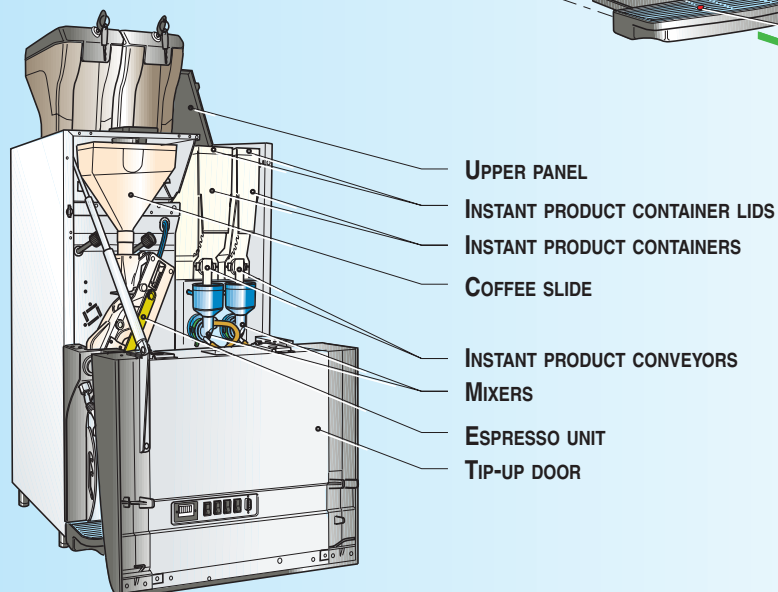
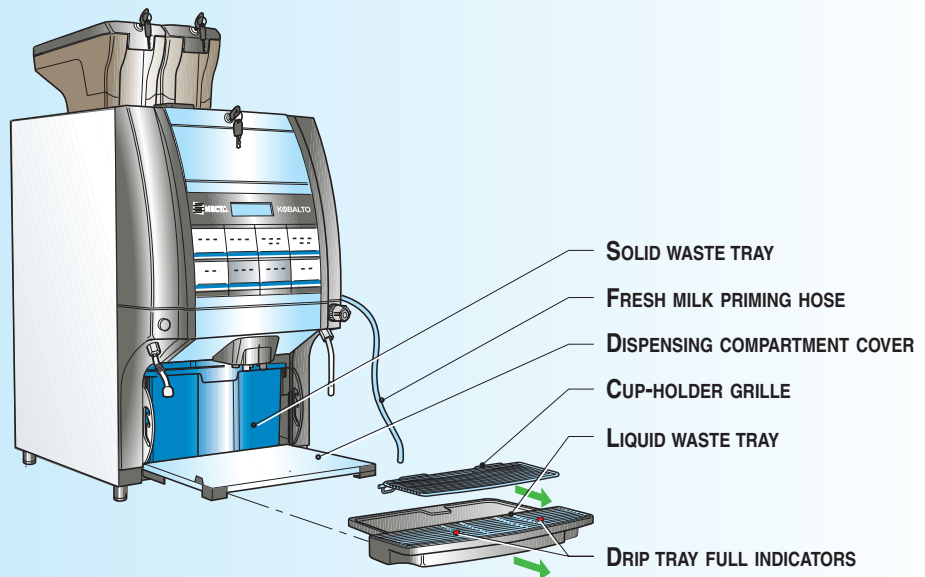
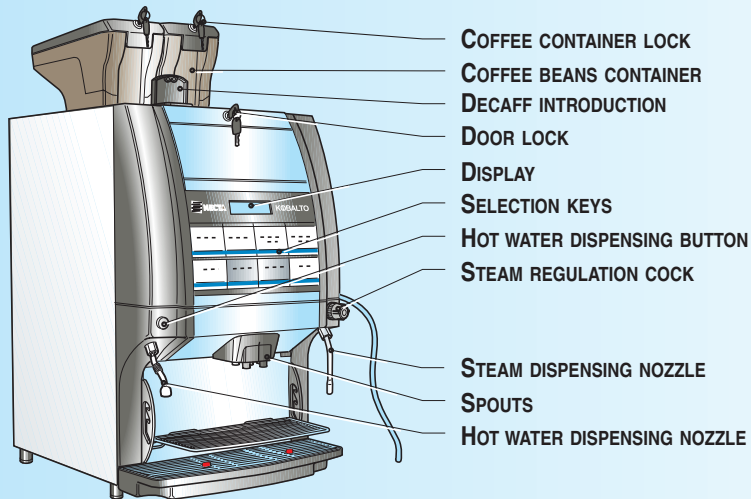


Some simple instructions for loading products and cleaning your machine are supplied here below.

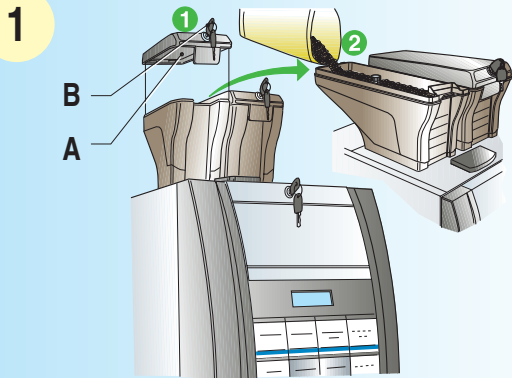


WARNINGS



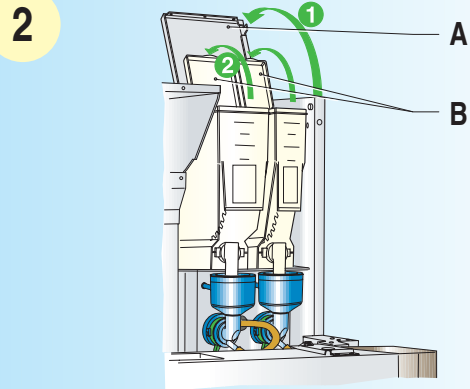
PRODUCT LOADING AND CLEANING

LOAD



Coffee beans:

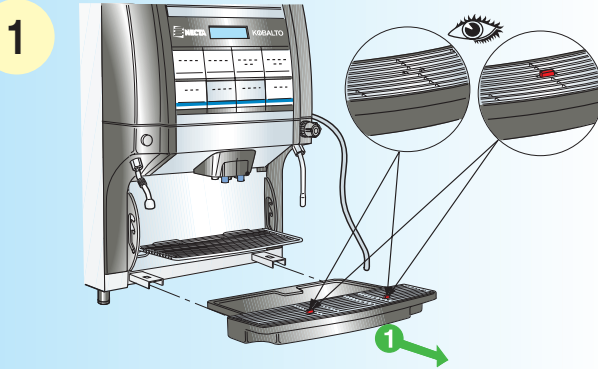
- Open the container lid (A) by using the proper key (B).
- Load the container with coffee beans.



Instant products:

- Open the machine door by using the proper key.
- The machine door opens in a tip-up mode, downwards.
- Lift the upper panel (A).
- Open the container lids (B).
- Load the containers without compressing powder.

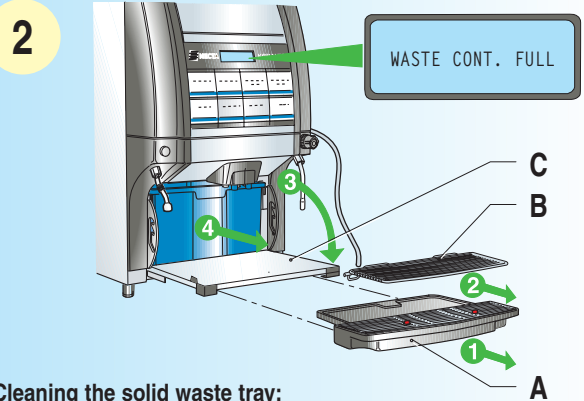
ORDINARY CLEANING



Cleaning the liquid waste tray:

- When the drip tray full indicators lift up through the grille, promptly empty the tray. The machine will work normally.
- To remove the tray, take hold of the sides of the tray, lift it slightly up and pull.

It is recommended not to wait for the red float signal, but to empty the tray at regular intervals.

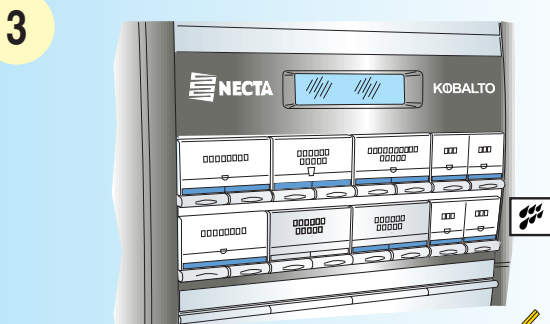


Cleaning the solid waste tray:

When the request to empty the tray appears on the display, empty the liquid and solid waste tray.

- Take hold of the sides of the liquid waste tray (A), lift and pull.
- Remove the cup-holder grille (B).
- Lower down the compartment cover (C).
- Remove the solid waste tray.
- Empty and wash the tray.

ORDINARY CLEANING

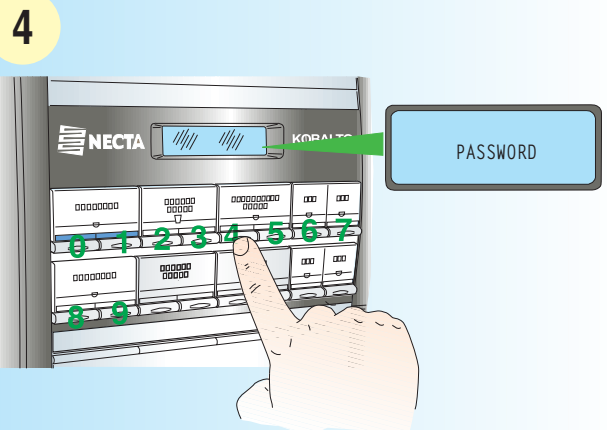


NOTE DOWN THE MIXER WASHING PASSWORD.



Washing the mixer:

- Press and hold down the mixer washing key.
- The machine requires the operator to enter the washing password.

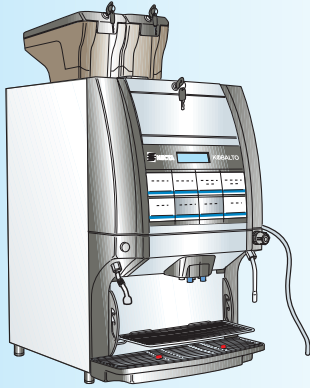


Washing the mixer:

- Use the machine keyboard to enter the mixer washing password; every single key has a numeric value. The wash cycle is automatically started at the end of the password entry.

CLEANING MILK CIRCUIT

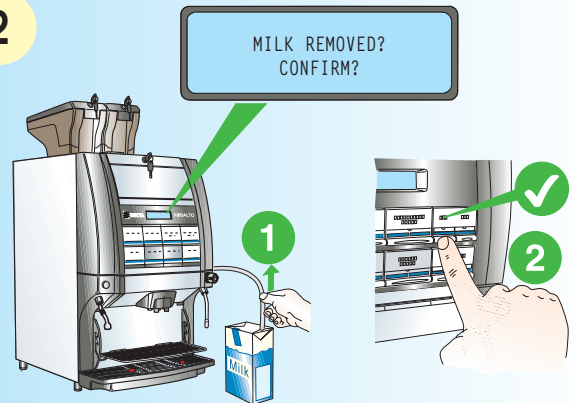
1



THE MILK CIRCUIT SHALL BE CLEANED AT THE END OF EVERY SERVICE.

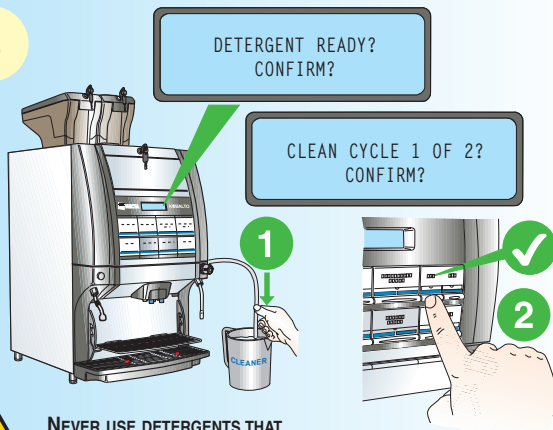
- As soon as you power on, the machine proposes the steps to wash the milk circuit by displaying the message "Milk washing?"
- Arrange a container beneath the spouts to collect any washing liquid.

2



- Remove the priming hose from the fresh milk container.
- Press the enter key to continue.

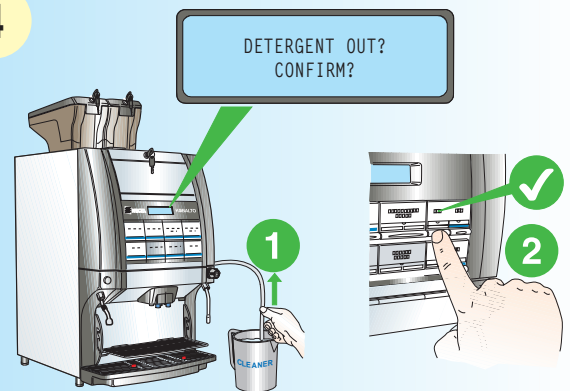
3



NEVER USE DETERGENTS THAT ARE TOO SCENTED.

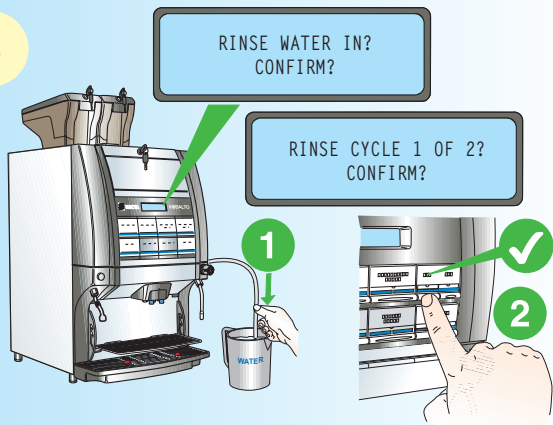
- Insert the priming hose into a container with a detergent solution.
- Press the enter key twice to start the clean cycle.

4



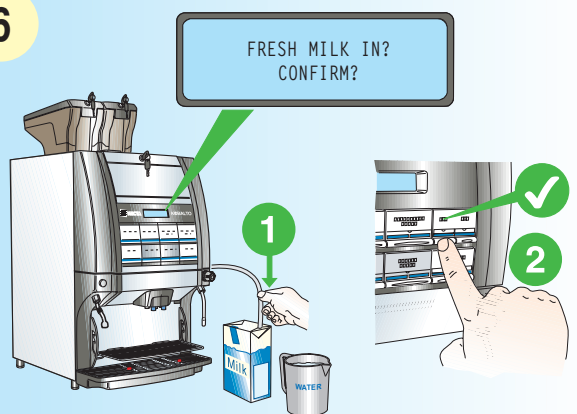
- Remove the priming hose from the container with the detergent solution in use.
- Press the enter key to continue.

5

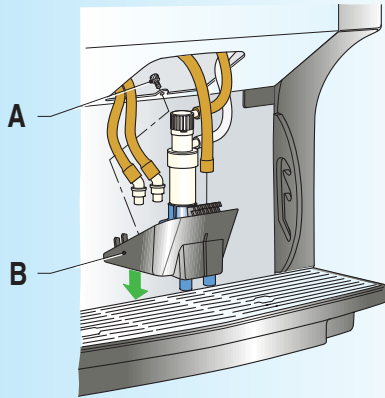


- Insert the priming hose into a clean water container.
- Press the enter key twice to start the rinse cycle.

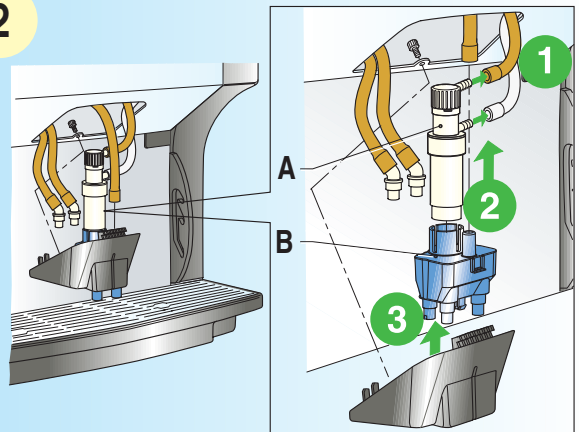
6



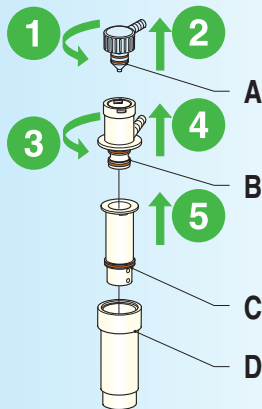
- Replace the priming hose into the fresh milk container.
- Press the enter key to complete the cycle.
- Empty the container intended to collect any wash residue.

CLEANING MILKER SPOUT
1

**DISASSEMBLE THE MILKER SPOUT
REGULARLY FOR CLEANING.**

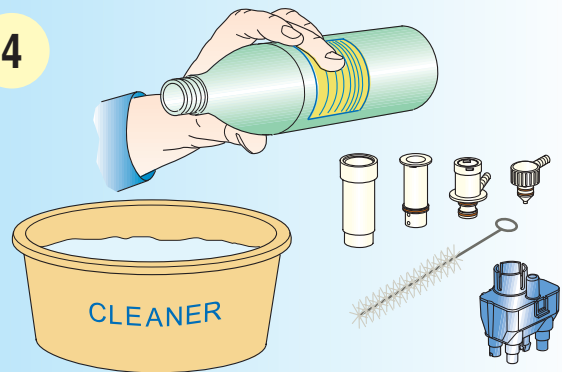
- Unscrew the knurl (A) intended to fasten the spout support.
- Remove the spout support (B).

2


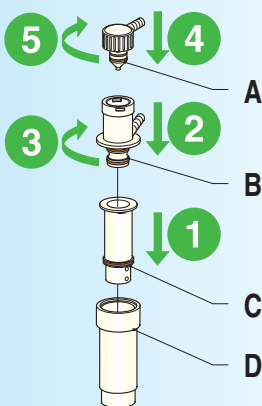
- Detach the tubes from the milker spout.
- Separate the milker spout (A) from the flow divider (B).
- Separate the flow divider from the spout support.

3


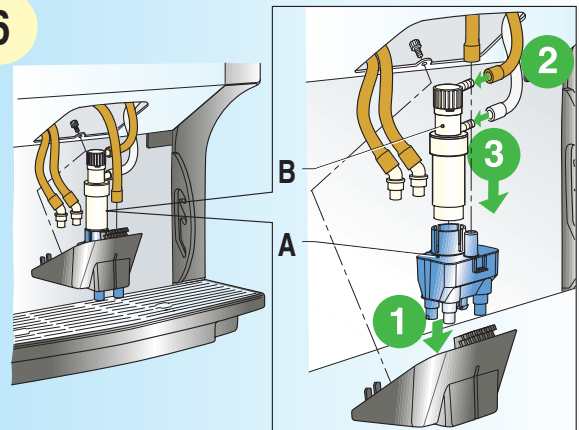
- Rotate and pull part (A) at the same time.
- Rotate and pull part (B) at the same time.
- Separate part (C) and part (D).

4

**NEVER USE DETERGENTS THAT
ARE TOO SCENTED.**

- Wash all parts by means of a detergent solution. Carefully remove any visible residue and film mechanically, i.e. by using - if necessary - brushes.
- Rinse and dry the parts carefully.

5


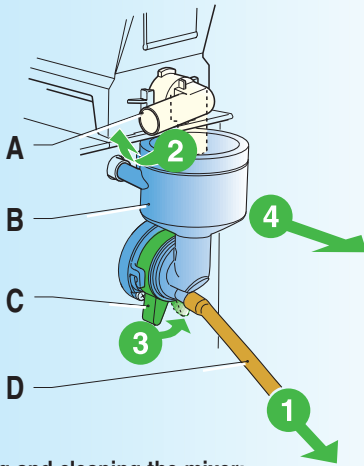
- Reassemble part (C) and part (D).
- Replace part (B) and rotate to fasten it.
- Replace part (A) and rotate to fasten it.

6


- Replace the flow divider (A).
- Re-connect the tubes with the unions of the milker spout properly.
- Insert the milker spout (B) onto the flow divider.
- Replace the spout support by fastening it by means of a knurl.

COMPLETE CLEANING

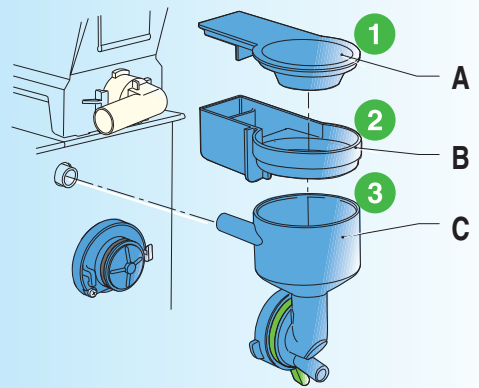
1



Disassembling and cleaning the mixer:

- Detach the tube (D) from the mixer.
- Rotate the instant product conveyor (A) upwards.
- Rotate the lever (C) counterclockwise.
- Remove the mixer unit (B).

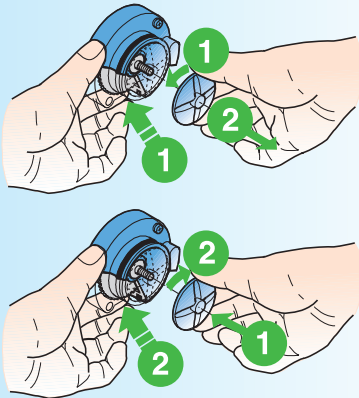
2



Disassembling and cleaning the mixer:

- Separate all components: product funnel (A), powder deposit drawer (B), water funnel (C).

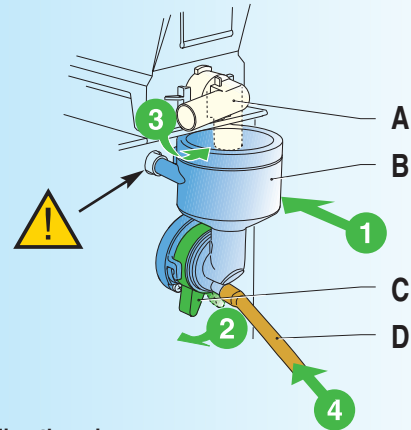
3



Disassembling and cleaning the mixer:

- Unscrew the mixer impeller and use a finger to lock the clogged disk on the mixer shaft.
- Wash, rinse all disassembled parts carefully.
- Reassemble the impeller.

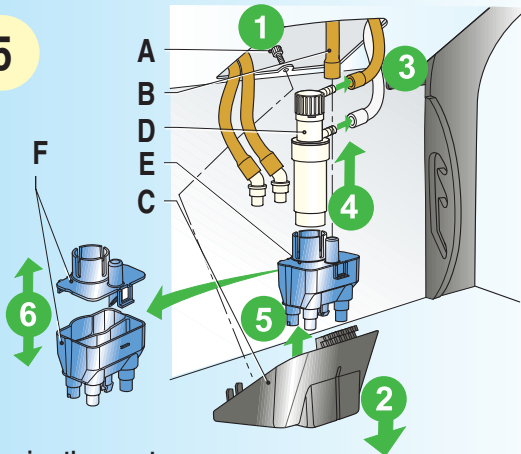
4



Assembling the mixer:

- Reassemble all components of the mixer (B) and carefully engage the water funnel properly.
- Rotate the lever (C) clockwise to fasten the mixer to the machine.
- Rotate the instant product conveyor (A) downwards.
- Reconnect the tube (D) with the mixer.

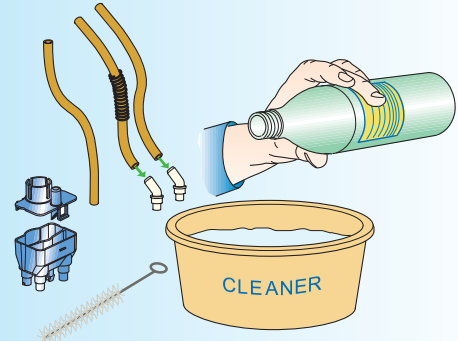
5



Cleaning the spouts:

- Unscrew the knurl from the spout support (A).
- Remove the spout support (C) from the machine.
- Detach the tube (B) from the flow divider (E).
- Separate the milker spout (D) from the flow divider (E).
- Separate the upper part (F) from the flow divider (E).

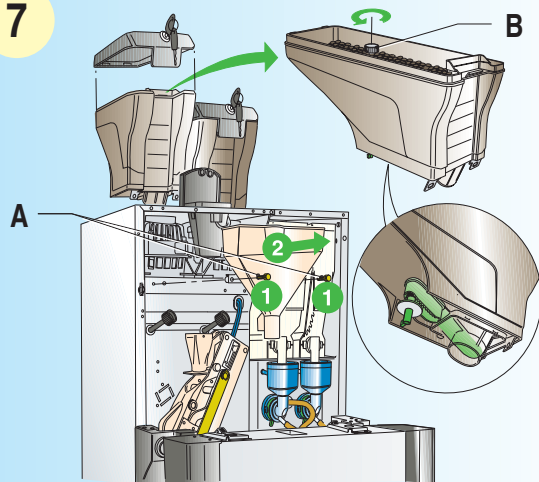
6



Cleaning the spouts:

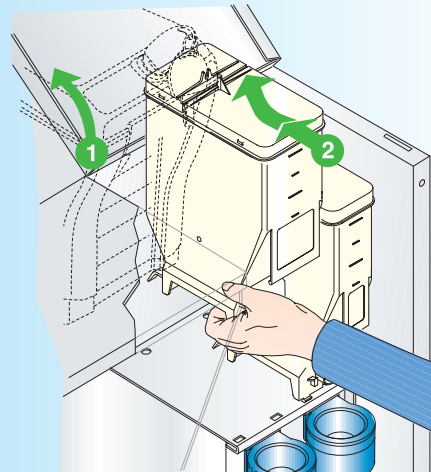
- Separate the instant drink spouts from the corresponding tubes.
- Wash all components and carefully remove all visible residues and films mechanically.
- Carefully rinse the spouts and carefully reconnect the tubes with the corresponding spouts.
- Reassemble the two pieces of the flow divider.

If the machine is complete with steam and/or hot water dispensing nozzles, use a detergent solution to remove any residue from the nozzles.

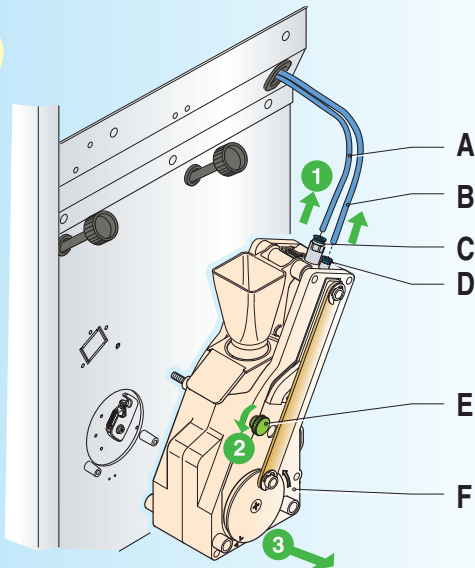
COMPLETE CLEANING
7

Cleaning the coffee slide and containers:

- Remove the coffee slide by acting on the fastening knurls (A).
- Clean the coffee slide and remove the powder from the area of coffee containers.

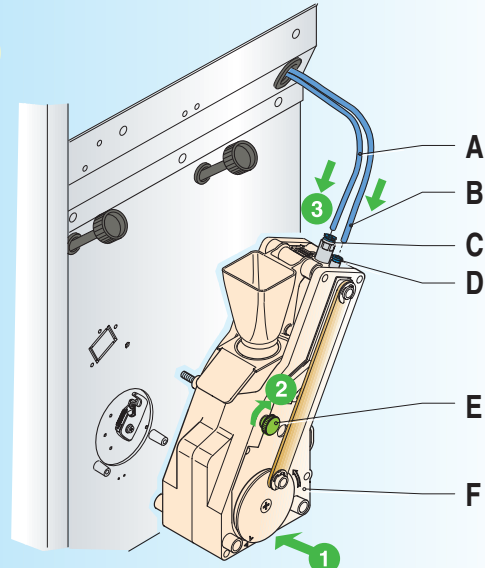
To remove the coffee containers, close the shutter (B) by completely rotating the knob to the right and remove the coffee container from the machine.

8

Cleaning instant product containers:

- Push every single container slightly backwards and lift.
- Remove every single container from the shelf.
- Carefully remove the powder from the support base and every single container.
- Replace every single container into its seat.

9

Disassembling and cleaning the espresso unit:

- Detach tube (A) and (B) from quick couplings by acting on coloured rings (C) and (D).
- Unscrew the pin intended to fasten the espresso unit (E).
- Remove the espresso unit (F).
- Remove any coffee residue.
- Rinse it beneath a water jet.

10


MAKE SURE THAT THE TUBES HAVE BEEN PROPERLY INSERTED INTO QUICK COUPLINGS BY SLIGHTLY PULLING THE TUBES.

Assembling and cleaning the espresso unit:

- Replace the brewing unit (F).
- Screw the fastening pin (E).
- Connect the tubes (A) and (B) with quick couplings (C) and (D).