

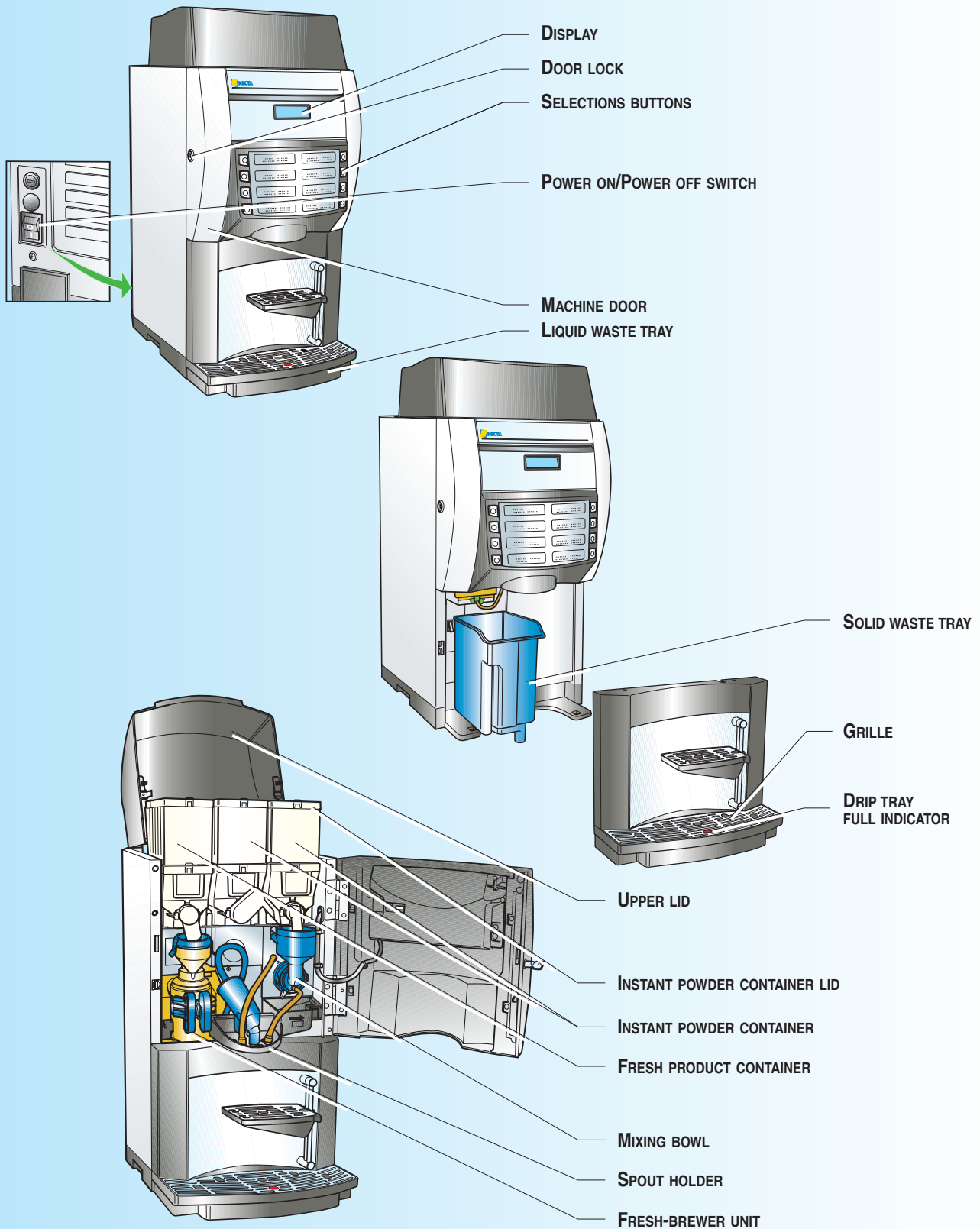
Below there are some simple instructions for loading and cleaning your machine.



**WARNING**



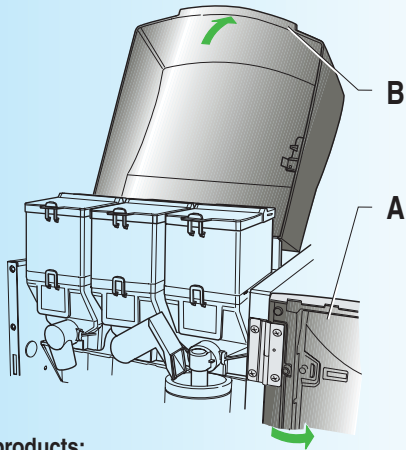
Operations to do with the machine turned ON.



## CLEANING / LOADING

LOADING

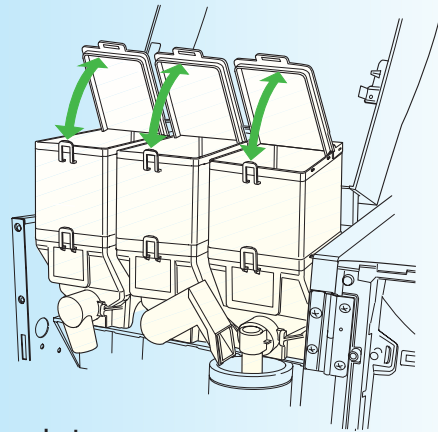
1



**Loading products:**

- Open the dispenser door (A).
- Lift the upper lid (B).

2

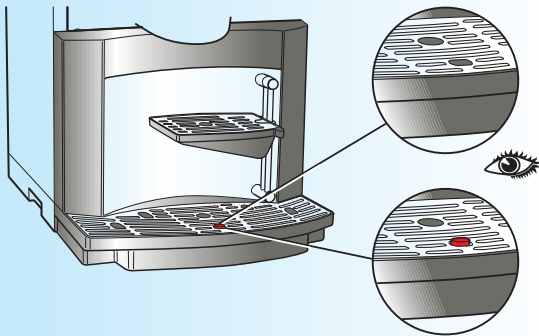


**Loading products:**

- Open the lids of the containers to be loaded.
- Load the products, taking care not to compact the powder.

REGULAR CLEANING

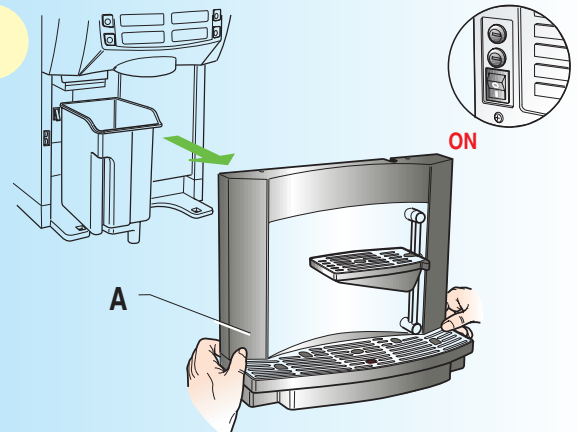
1



**Emptying the liquid waste tray:**

When the red float signal lifts up through the grille, it is necessary to empty the liquid waste tray immediately. The dispenser will then work normally. It is advisable not to wait until the red drip tray full indicator is visible. It is recommended that the liquid waste tray is emptied regularly.

2



**Emptying the liquid waste tray:**

- Take hold of the sides of the liquid waste tray (A) firmly, then lift slightly and pull forward.
- Empty the tray and if necessary, wash it using a mild detergent solution.
- Re-fit the tray back into position.

REGULAR CLEANING

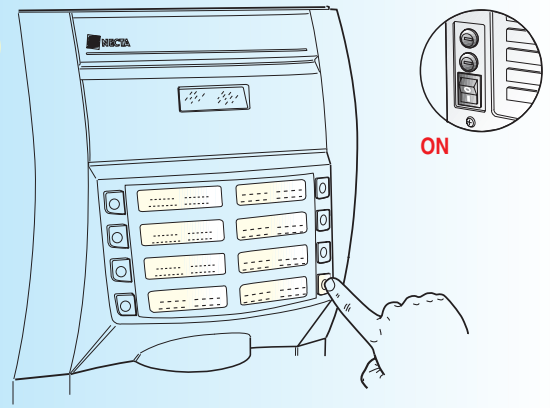
3



**Emptying the solid waste tray:**

- When the "WASTE TRAY FULL" message appears on the display, the solid and liquid waste trays require emptying.
- Take hold of the sides of the liquid waste trays firmly. Lift and pull.
  - Remove the solid waste tray (A) and empty it.
  - Fit both trays back into position.

4

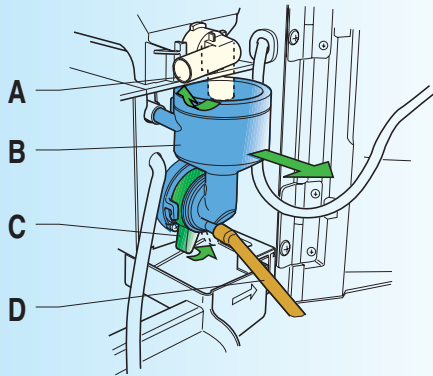


**Rinsing the mixer:**

- With the door closed, press and hold the last selection button for 3 seconds.
  - When "Password" appears on the display. Enter 5 digit password to rinse function.
- The mixer rinsing cycle must be carried out regularly or after loading the instant powder.**

DEEP CLEANING

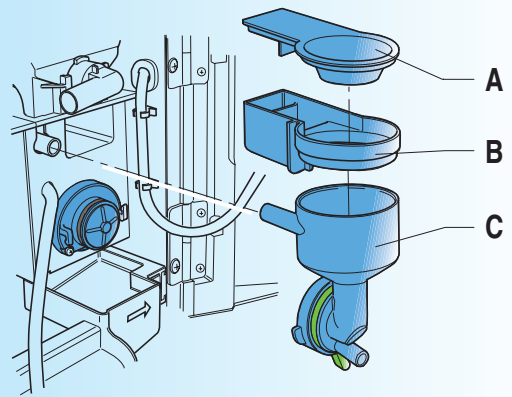
1



**Removing and sanitising the mixer:**

- Detach tube (D) from mixer.
- Rotate the product dispensing nozzle (A) upwards.
- Rotate the lever (C) anticlockwise.
- Take hold of the mixer assembly (B) firmly, and pull.

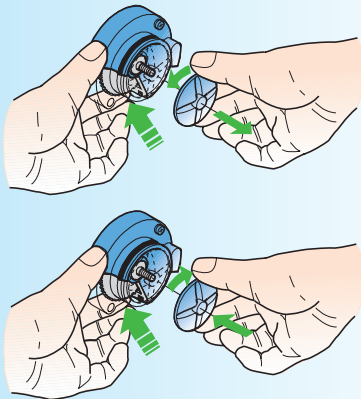
2



**Removing and sanitising the mixer:**

- Separate all the mixer assembly components: product funnel (A), powder deposit drawer (B), mixing bowl (C).

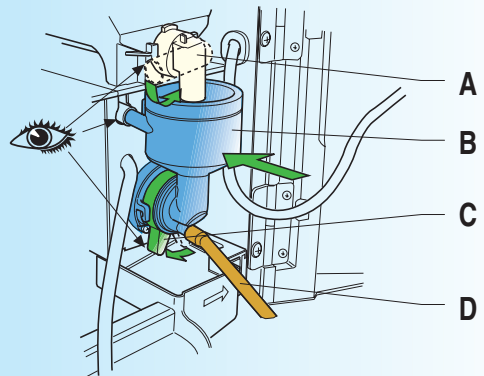
3



**Removing and sanitising the mixer:**

- To remove mixer impellers, use a finger to hold the cogged disk fitted on the mixer shaft below the mixer chamber.
- Unscrew the impeller.
- Thoroughly wash, rinse and dry all of the removed components.
- Reassemble the impeller.

4



**Reassemble the mixer:**

- Reassemble all the mixer (B) components.
- Rotate the lever ring (C) clockwise to lock the mixer onto the dispenser.
- Rotate the product dispensing nozzle (A) back down again.
- Connect the tube (D) to the mixing bowl.

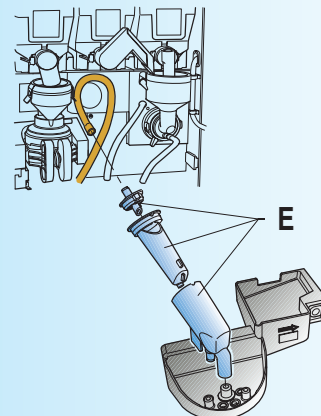
5



**Cleaning the dispensing spouts:**

- Detach the tubes (A) from the dispensing spouts.
- Press pushbutton (B) to release the dispensing spouts carrier plate (C).
- Detach the dispensing spouts (D) from spout holder (C).

6

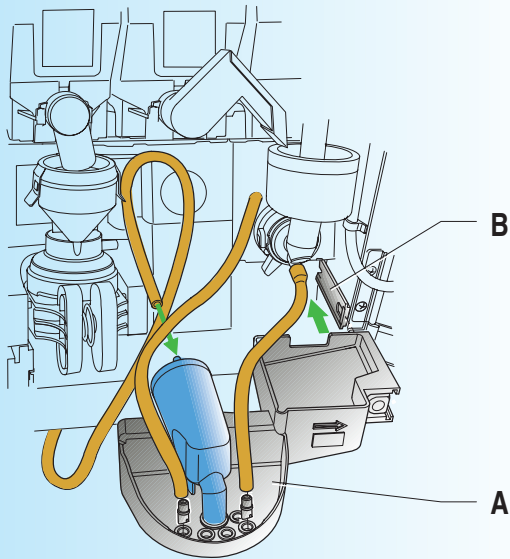


**Cleaning the dispensing spout:**

- Separate the three parts that compose the dispensing spout (E).
- Thoroughly wash and dry all the removed components.

## DEEP CLEANING

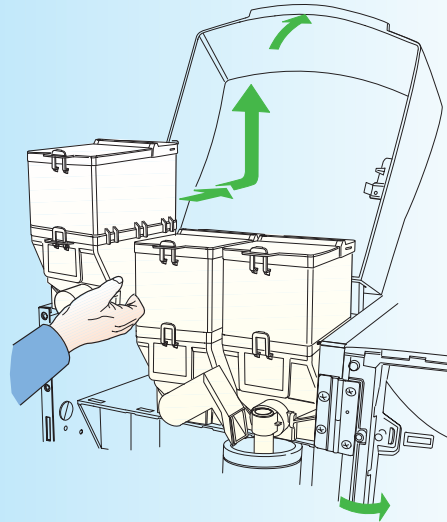
7



### Reassembling the dispensing spouts:

- Insert the dispensing spout holder (A) into guide (B) and press until it clicks.
- Reassemble the parts of the dispensing spout.
- Reinsert the dispensing spout onto the spout holder (A).
- Reinsert the dispensing spouts for the instant drinks onto the spout holder (A).
- Connect the tubes onto their dispensing spouts.

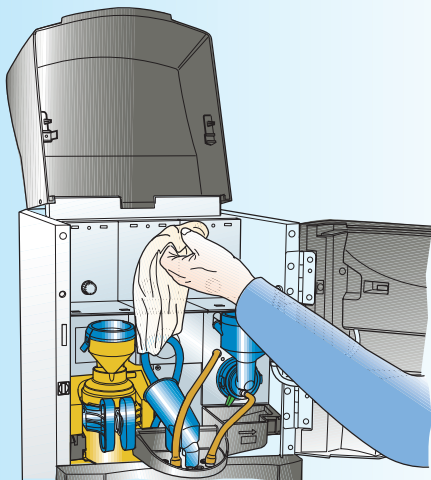
8



### Cleaning the containers:

- Open the dispenser door and lift the upper lid.
- Lightly push back and lift the containers.
- Remove the containers from the dispenser.
- Brush the containers, removing all instant powder residue.

9

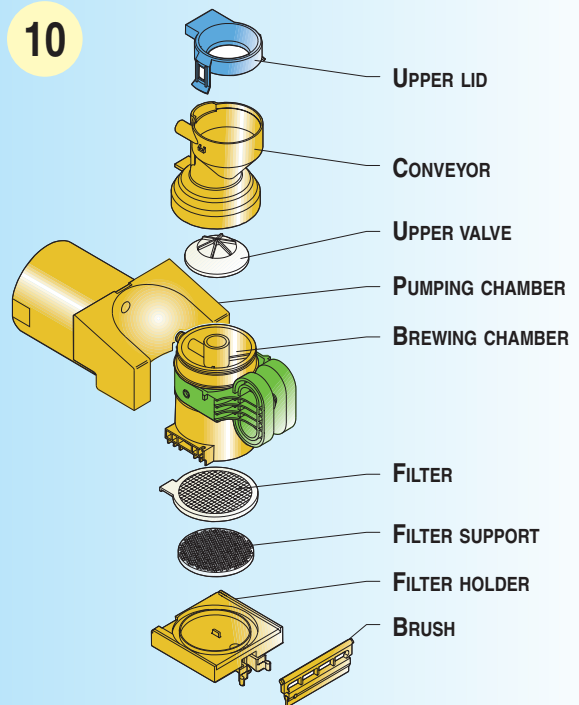


**USE MILD DETERGENTS FOR CLEANING. DO NOT USE SOLVENTS OR SCENTED CLEANING PRODUCTS.**

### Internal dispenser cleaning:

- Clean the inside of the dispenser using a mild detergent solution and a lightly damp cloth.

10

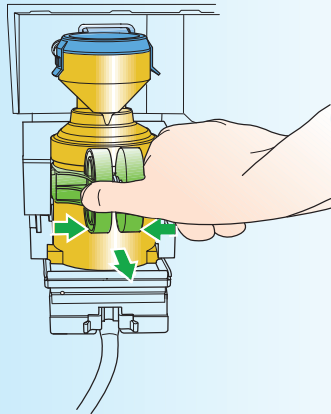


**IN ORDER TO KEEP THE CHARACTERISTICS OF THE DISPENSED DRINK UNALTERED IT IS NECESSARY TO CLEAN THE BREWER UNIT AT LEAST WEEKLY.**

**THE COMPONENTS CAN BE WASHED IN A DISHWASHER AT A MAXIMUM TEMPERATURE OF 60°C.**

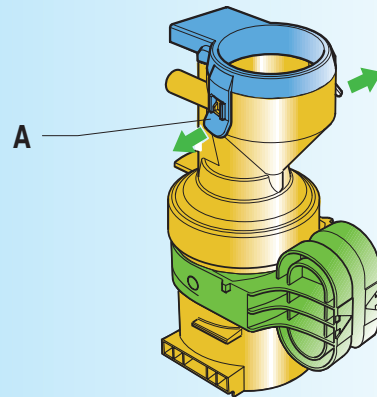
## REMOVING THE BREWER UNIT

1



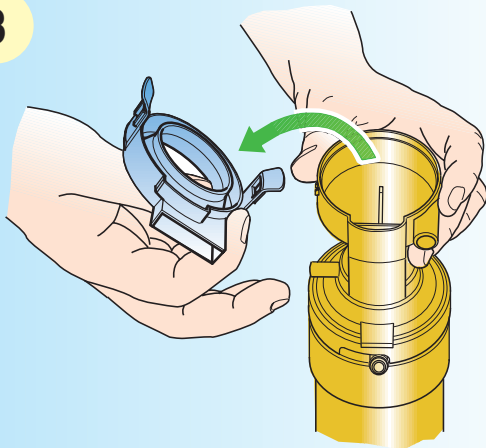
- Press the two jaws of the brewer unit.
- Pull the brewing chamber to extract it.

2



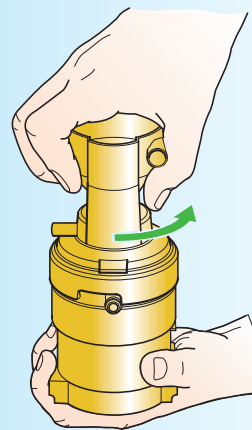
- Release the two clips (A) from the upper lid.

3



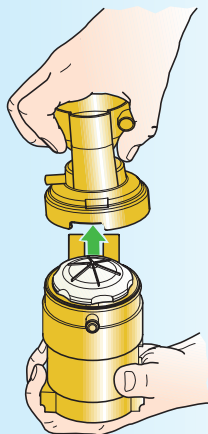
- Remove the upper lid.

4



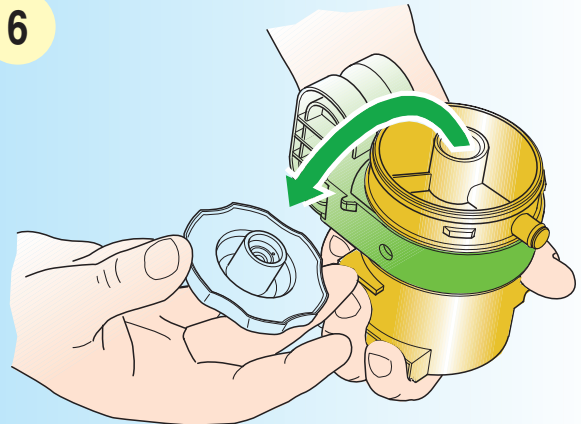
- Take hold of the brewing chamber firmly.
- Rotate the conveyor anticlockwise.

5



- Remove the conveyor.

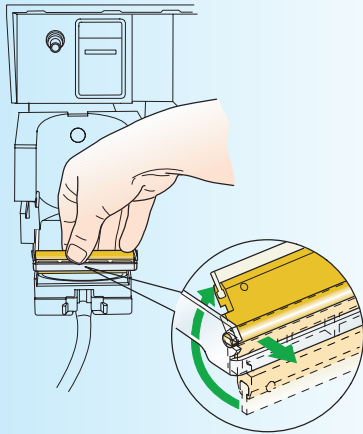
6



- Remove the upper valve.

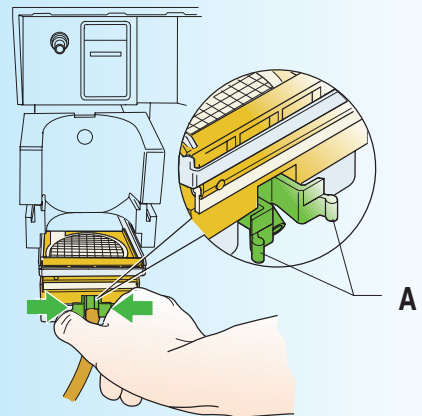
## REMOVING THE BREWER UNIT

7



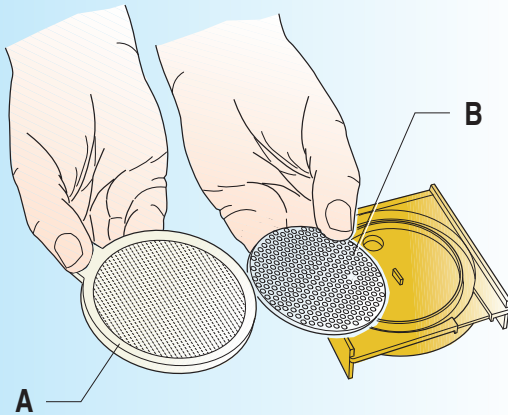
- Lift the filter cleaning brush to remove it.
- Remove any coffee grounds residue from the brush.

8



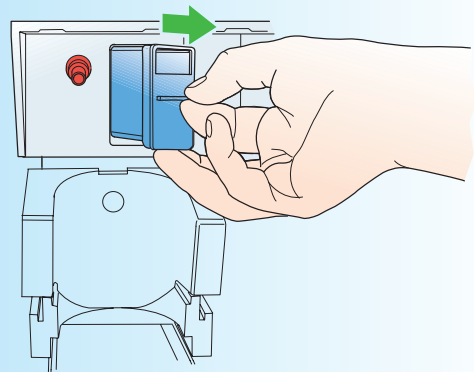
- Press the filter levers (A) and at the same time pull the filter holder until completely extracted.

9



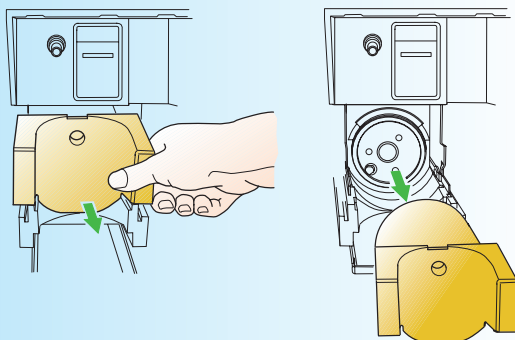
- Separate the filter (A) from the filter holder (B).
  - Check the state of wear of the components.
- Replace the filter if damaged and/or encrusted.**

10



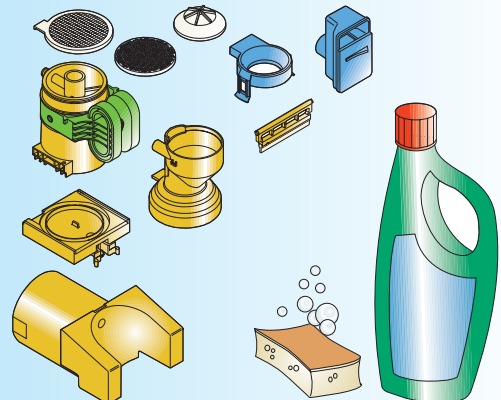
- Remove the powder exhaust drawer.

11



- Take hold of the pumping chamber.
- Lift it lightly and pull.
- Completely extract the pumping chamber.

12

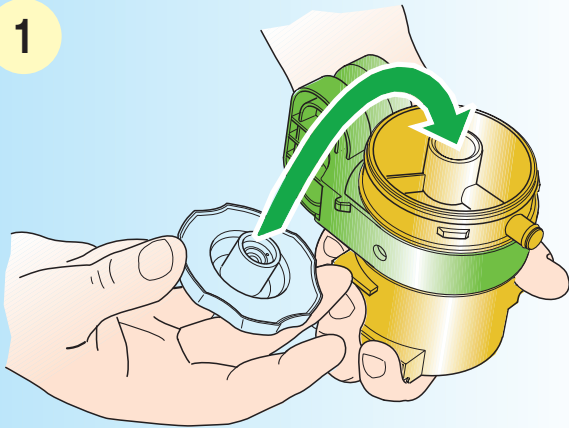


- Thoroughly wash the removed components.
- Thoroughly rinse and dry the components, then reassemble the brewer unit.

**The components can be washed in a dishwasher at a maximum temperature of 60 °C.**

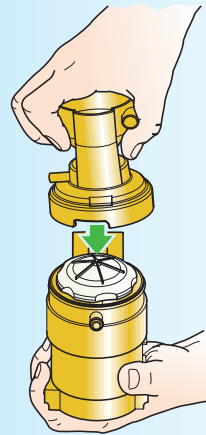
## INSTALLING THE BREWER UNIT

1



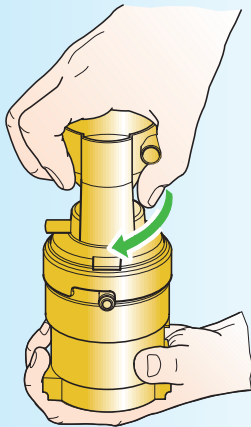
- Fit the upper valve back onto the brewing chamber.

2



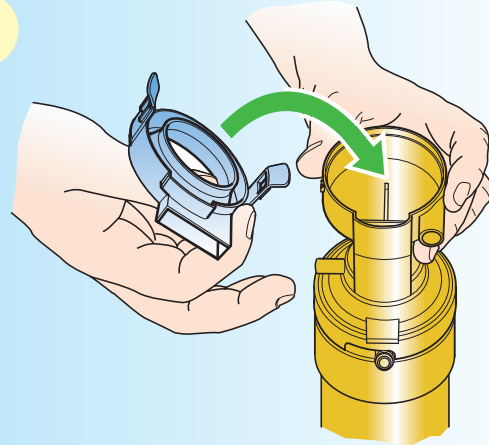
- Fit the conveyor onto the brewing chamber.

3



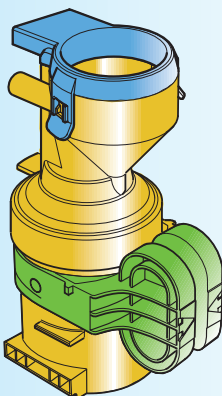
- Take hold of the brewing chamber firmly.
- Rotate the conveyor onto the brewing chamber clockwise.

4



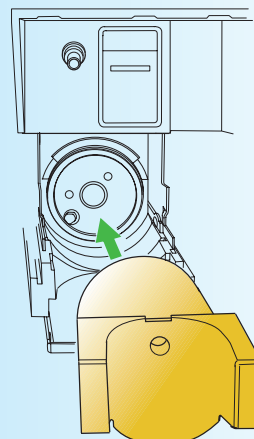
- Fit the upper lid onto the conveyor.
- Secure it with its clips.

5



- Brewer unit correctly installed.

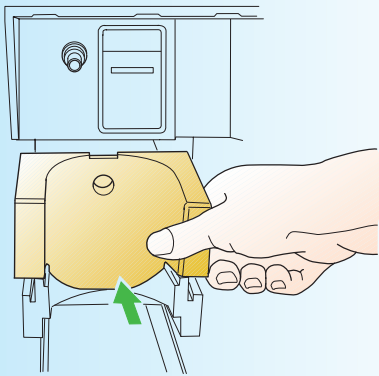
6



- Fit the pumping chamber back into position.

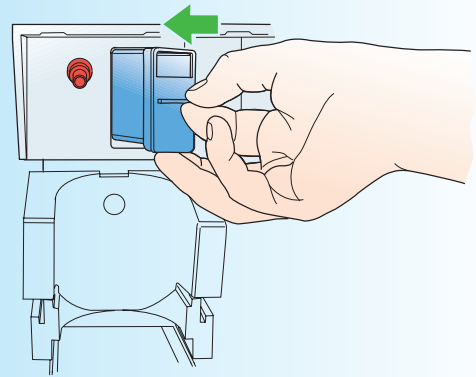
## INSTALLING THE BREWER UNIT

7



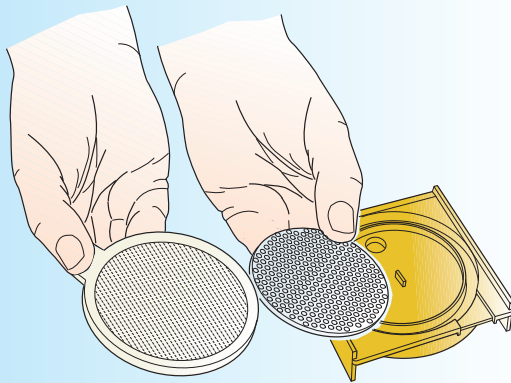
- Push the pumping chamber until inserted completely.

8



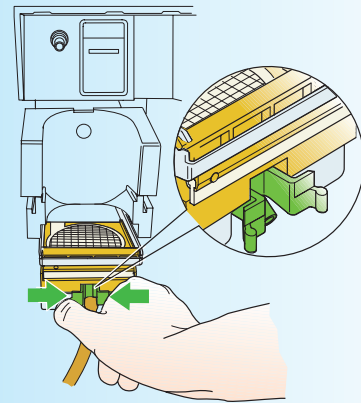
- Fit the powder exhaust drawer back into position.

9



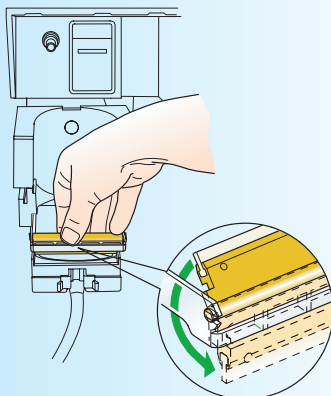
- Before reinstalling the filter, check the conditions of the filter and of its support; if damaged and/or encrusted they must be replaced.
- Reassemble the filter and its support.

10



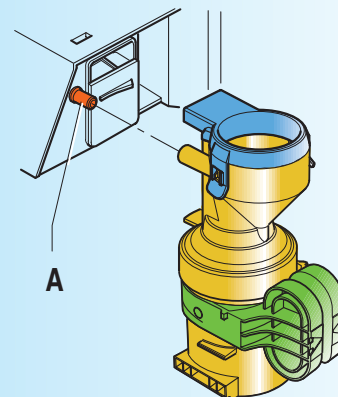
- Insert the filter holder drawer pressing until it clicks.

11



- Fit the filter cleaning brush back into position.

12



- Fit the brewer unit back into place.
- Connect the water tube (A) to the conveyor.