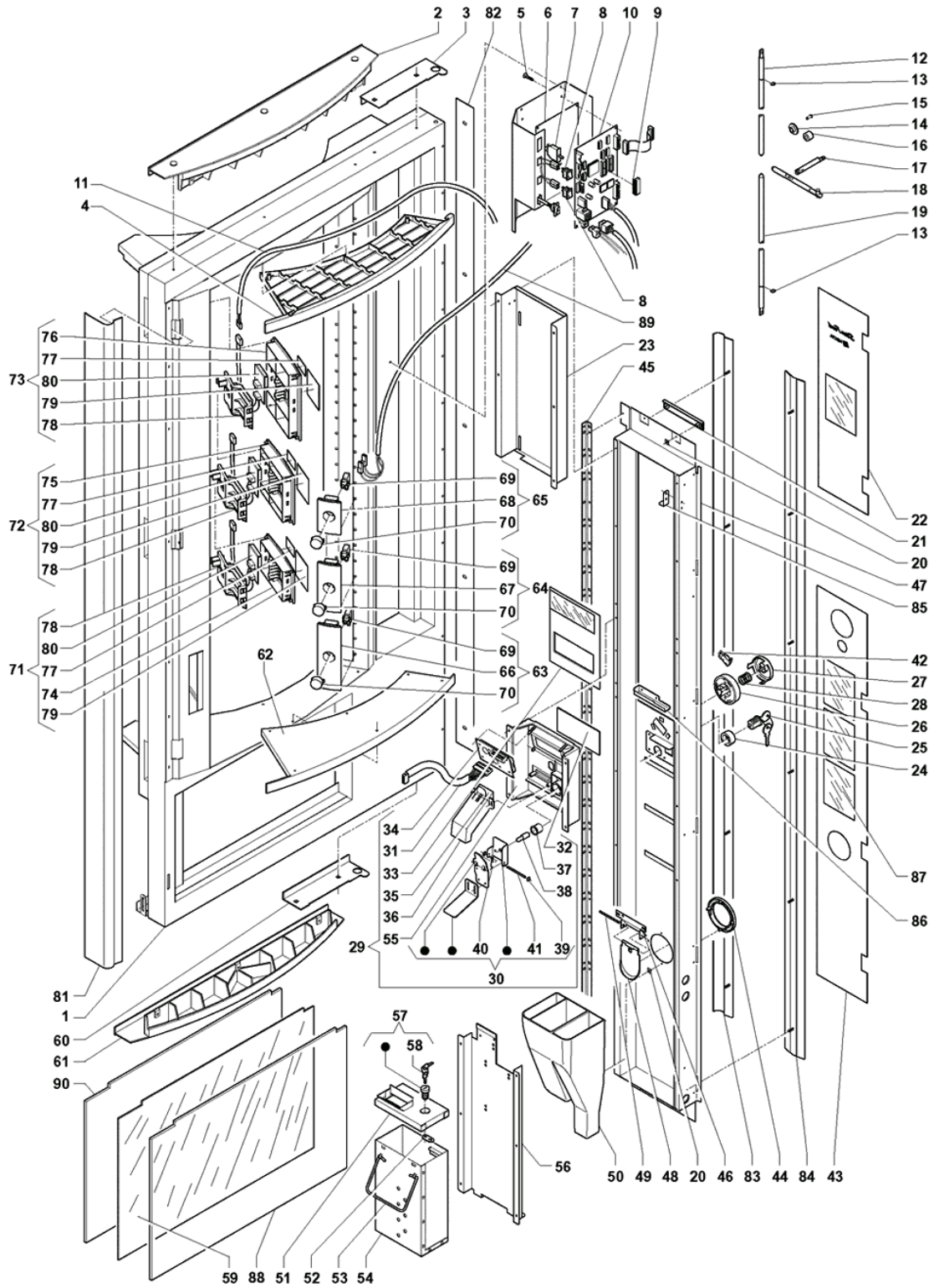


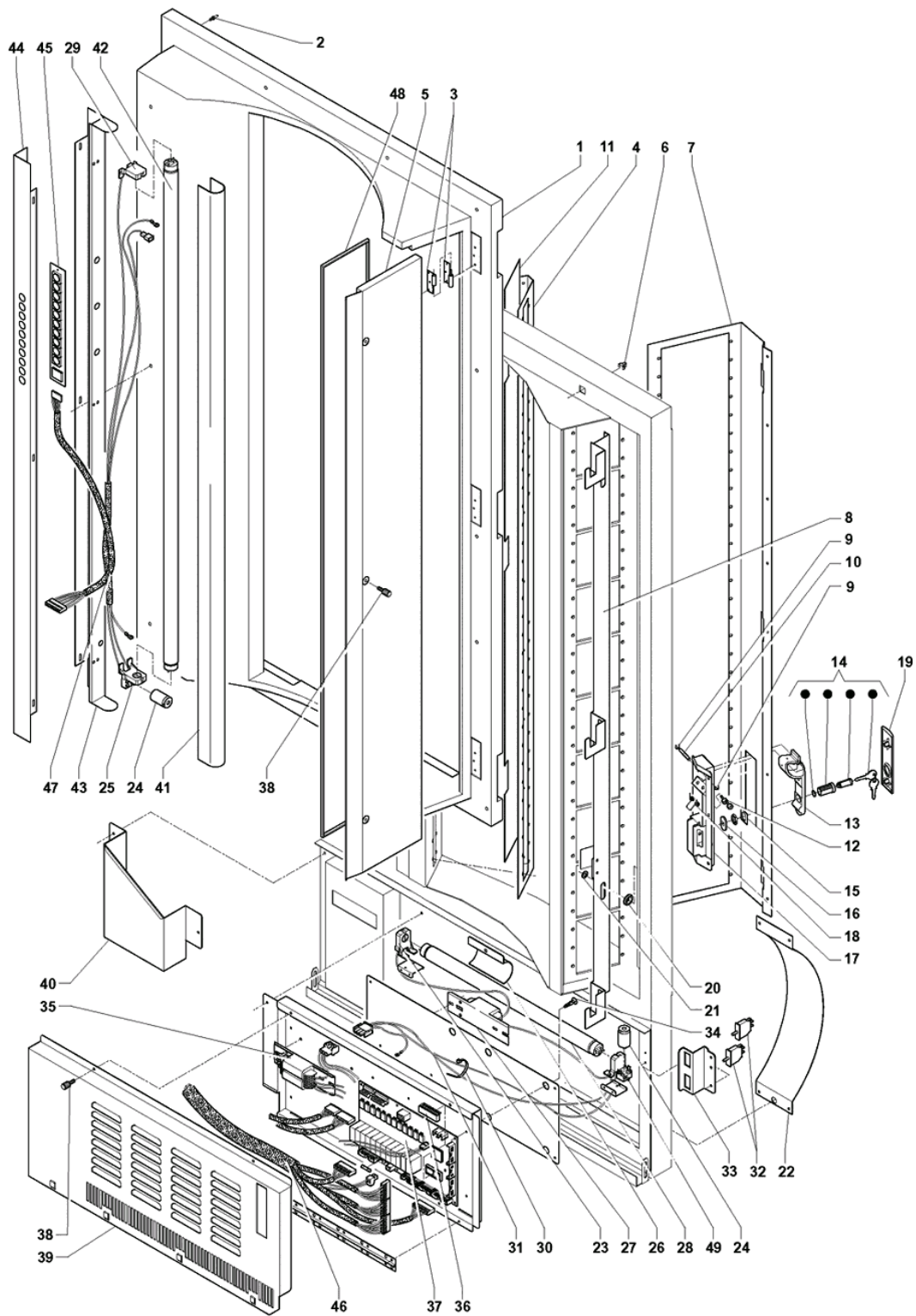
STARFOOD - 120 VOLT - 60 HZ





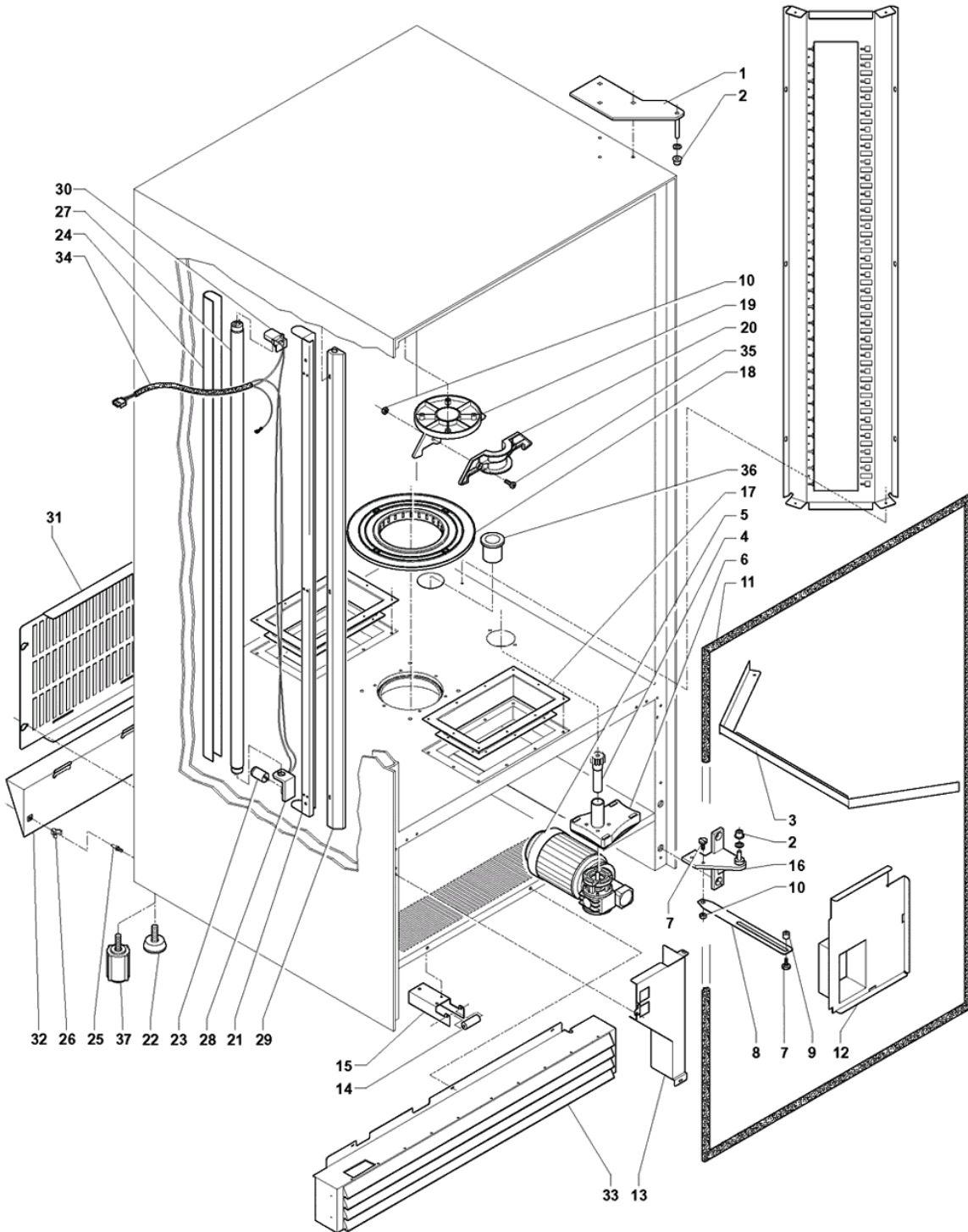
	Code	Description	Notes
1	0V3190	DOOR FRAME	
2	0V4120	UPPER HEAD	
3	0V3083	UPPER HEAD EXTENSION-BLACK-	
4	0V4125	UPPER COVER	
5	097175	CARD SPACER	
6	0V3147	CPU BOARD PROTECTION	
7	987575	DOOR CONTACT SWITCH	
8	097807	BUTTON	
9	0V2287	FLASH EPROM 2MB 2048K (TO BE PROGRAMMED)	
10	0V2141	16 BIT CPU BOARD	
11	250597	PRICE DISPLAY WIRING -USA -	
12	0V3132	UPPER DOOR CLOSING	
13	0V3123	LOCK OPERATION LEVER	
14	0V3129	LOCK ROD BUSHING	
15	0V3133	LOCK PIN	
16	0V3036	DOOR LOCK BUSHING	
17	0V3130	LOCK ROD	
18	0V3180	LOCK ROD	
19	0V3131	LOWER DOOR CLOSING	
20	093829	LEVER LOCK CLIP	
21	0V3085	DOOR PROFILE -BLACK -	
22	0V3591	UPPER DOOR LABEL FOR INSTRUCTIONS-BLACK-	
23	0V3108	PAYMENT ELEMENT	
24	0V3134	LOCK BUSHING	
25	099905	LOCK RIELDA	
26	0V4131	SHOPPER PUSH BUTTON SUPPORT	
27	0V3088	SHOPPER PUSH BUTTON	
28	0V3127	BUTTON RETURN SPRING	
29	0V4245	COIN SLOT ASSEMBLY -BLACK-	
30	0V2164	COIN RETURN	
31	251752	STARFOOD DISPLAY WIRING	
32	0V2069	DISPLAY GLASS	
33	0V4225	BLACK MIDDLE DOOR LABEL	
34	251658	DISPLAY 4X20 BLUE	
35	099357	UPPER SLIDE	
36	0V2084	LOWER COIN SLOT CHUTE	
37	0V2071	COIN RETURN BUTTON	
38	099351	ACTIVATOR	
39	093754	BENZING COLLAR QUICKBLOCK BQ DIAM MM	
40	099356	SPRING FOR CHANGE	
41	099355	CHANGE GIVING PIN	
42	092439	MICRO TYPE 'CHERRY'	
43	0V4238	LOWER DOOR LABEL -BLACK-	
44	0V2073	DARK GREY COIN RETURN FRAME	
45	0V3176	DOOR HINGE	
46	097455	MONEY RETURN SHUTTER BRACKET	

	Code	Description	Notes
47	0V3899	SMALL DOOR	
48	093890	MONEY RETURN SHUTTER	
49	093891	SHUTTER PIVOT	
50	0V4122	COIN CASHING/RETURN CHUTE	
51	0V3177	CASHBOX COVER	
52	098551	BOLT	
53	0V3128	COIN BOX HANDLE	
54	0V3188	COIN BOX	
55	0V4249	DISPLAY-COIN SLOT SUPPORT-BLACK-	
56	0V3109	COIN MECH SUPPORT	
57	090861	CYLINDER LOCK TYPE K	
58	092218	PASSE-PARTOUT LOCK K	
59	0V3149	LOWER PHOTOGRAPHIC PANEL	
60	0V3084	LOWER HEAD EXTENSION -BLACK-	
61	0V4121	LOWER HEAD -BLACK-	
62	0V4126	LOWER COVER	
63	0V4146	SELECTION MOLDING ASSY. H=130	
64	0V4145	SELECTION MOLDING ASSY. H=90	
65	0V4144	SELECTION MOLDING ASSY. H=50	
66	0V4137	SELECTION BUTTON MOLDING H=130	
67	0V4130	SELECTION BUTTON MOLDING H=90	
68	0V4136	SELECTION BUTTON MOLDING H=50	
69	0V3168	ROLD MICROSWITCH	
70	0V3415	SELECTION BUTTON - BRIGHT GREY	
71	0V4141	PRICE MOLDING ASSY. H=50	
72	0V4142	PRICE MOLDING ASSY. H=90	
73	0V4143	PRICE MOLDING ASSY. H=130	
74	0V4134	PRICE MOLDING H=50	
75	0V4128	PRICE MOLDING H=90	
76	0V4135	PRICE MOLDING H=130 -BLACK-	
77	0V3081	PRICE DISPLAY GLASS	
78	0V4129	LABEL SUPPORT - BLACK -	
79	0V3080	PRODUCT LABEL GLASS	
80	0V3172	4-DIGIT PRICE CARD	
81	0V3897	LEFT DOOR PROFILE	
82	0V3107	DOOR RIGHT SIDE PROFILE	
83	0V3104	RIGHT DOOR PROFILE	
84	0V3898	CENTRAL DOOR PROFILE	
85	0V3121	DOOR SWITCH ACTUATOR	
86	0V3122	CONVEYOR	
87	0V3152	INSTRUCTIONS PLATE - UK -	
88	0V3417	TRANSPARENT PANEL	
89	250594	BUTTON WIRING -USA -	
90	0V3418	OPAL-GLASS PANEL	

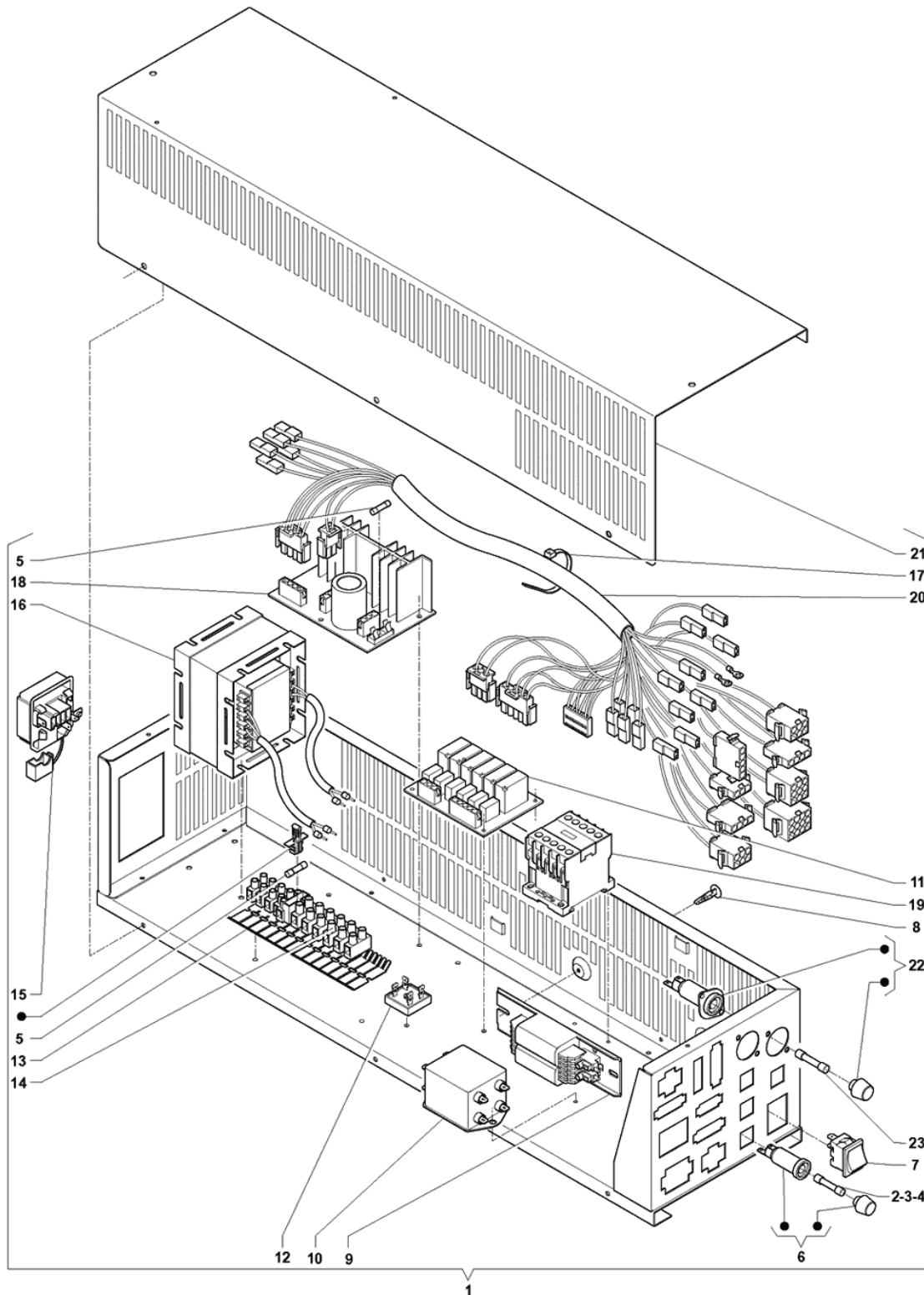


	Code	Description	Notes
1	0V3102	DOOR FRAME	
2	094159	FIXING PLUG	
3	0V3286	LEFT HINGE	
4	0V3396	SELECTION PANEL -BLACK-	
5	0V3103	DOOR FRAME PANEL	
6	094073	LOCK SPRING GRINDER AND COFFEE GROU	
7	0V3395	DISPLAY MOLDING PANEL -BLACK-	
8	0V3193	DOOR CLOSING ROD	
9	091287	OUTER FIXING COLLAR	
10	093907	ROTATION PIVOT	
11	0V3390	PUSH-BUTTONS SHIELD	
12	092738	WEDGE BUMPER	
13	0V2345	DOOR LOCK HANDLE	
14	099905	LOCK RIELDA	
15	093908	LOCKING POSITION DISK	
16	0V2344	LOCK-BOLT	
17	0V3192	CLOSING SUPPORT	
18	097329	OPENING HANDLE SPRING	
19	0V4127	HANDLE COVERING -BLACK -	
20	0V3143	LOCK ROD SPACER	
21	0V3138	DOOR STOP ROD WASHER	
22	0V3072	CARD SHOCK-PREVENTING BAND	
23	250800	LAMP-HOLDER	
24	250604	STARTER	
25	987958	LAMP-HOLDER W/STARTER-HOLDER	
26	0V2081	LAMP PROTECTION	
27	253186	BALLAST 120V 60HZ	
28	0V0594	NEON	
29	099783	LAMP-HOLDER	
30	090148	CLIP	
31	250599	LAMP WIRING -USA -	
32	987575	DOOR CONTACT SWITCH	
33	0V3807	DOOR SWITCH SUPPORT	
34	097175	CARD SPACER	
35	250329	120V - 60HZ BALLAST	
36	095004	EPROM 512K(TO BE PROGRAMMED)	
37	0V3171	CONTROL BOARD	
38	096977	KNURL	
39	0V3806	CARD COVERS	
40	0V3117	DOCUMENTATION HOLDER	
41	987689	LAMP PROTECTION	
42	985532	NEON LIGHT 36 WATT	
43	0V3112	LAMP/PUSH-BUTTON PANEL SUPPORT	
44	0V3114	LAMP/PUSH-BUTTON PANEL COVER	
45	987983	KEY FOR REFILLING	
46	250591	MAIN WIRING -USA -	

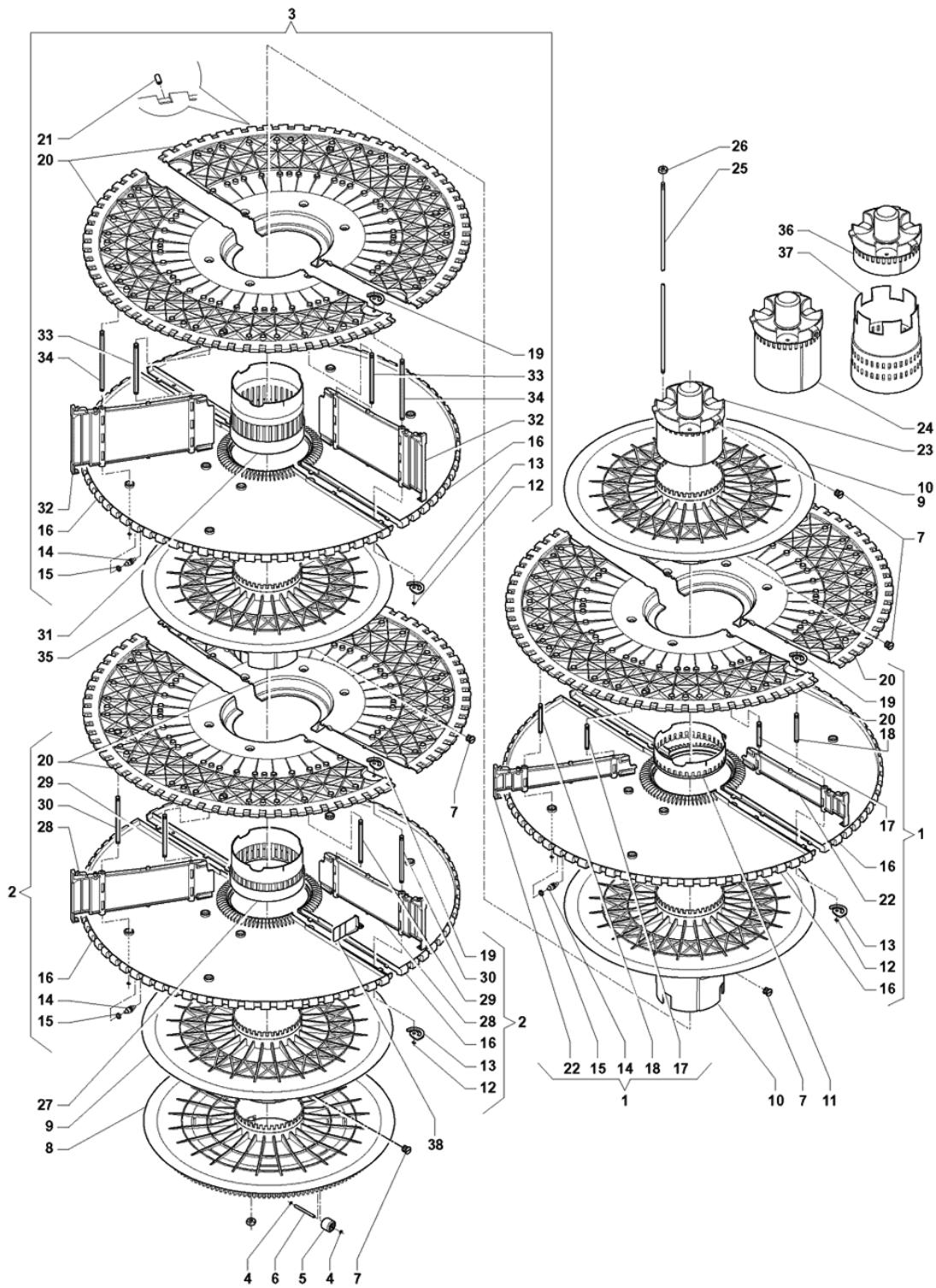
	Code	Description	Notes
47	250598	LAMP AND KEYBOARD WIRING -USA-	
48	0V3481	SEAL (BY METRE)	
49	250601	LAMP-HOLDER	



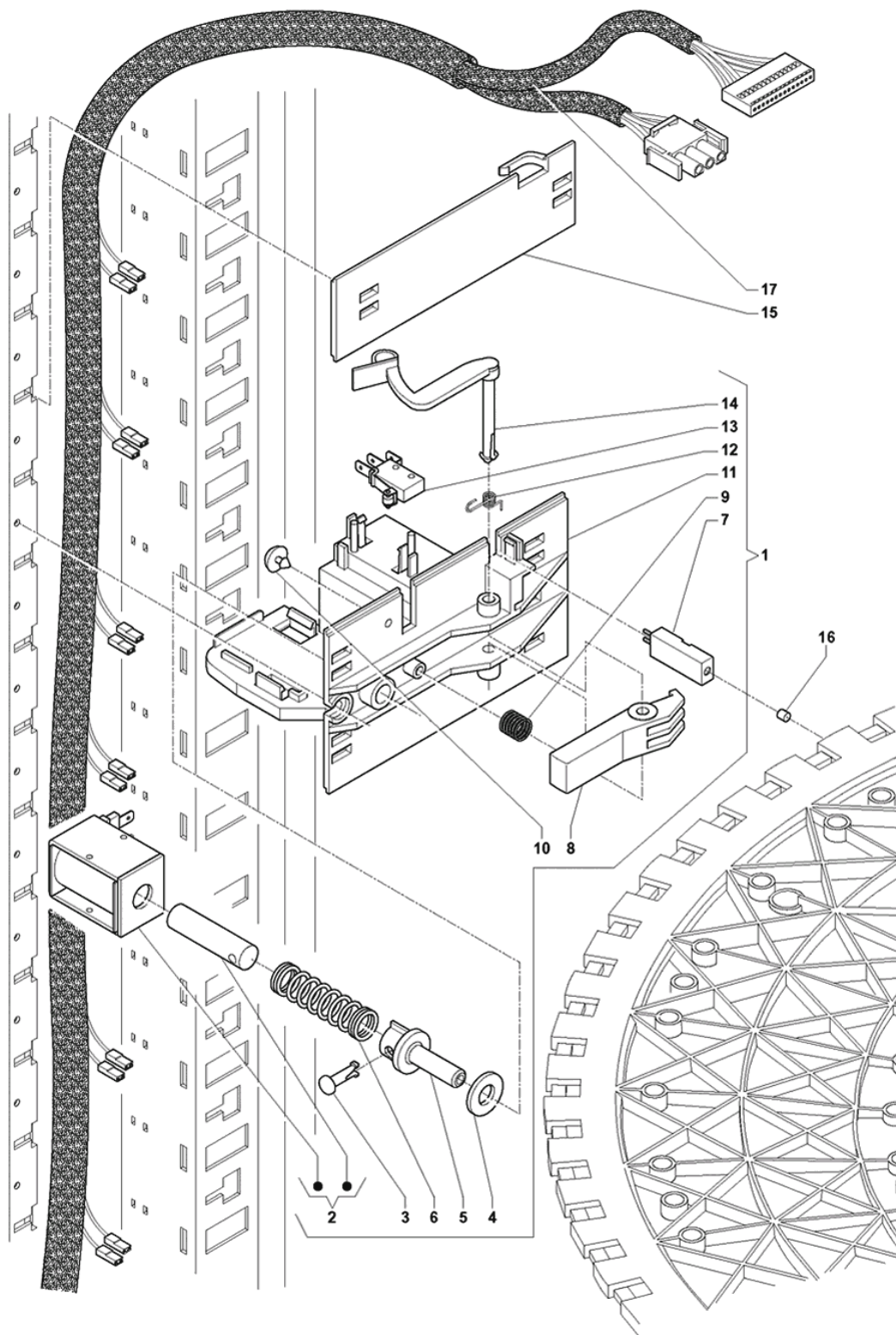
	Code	Description	Notes
1	0V3194	UPPER HINGE	
2	0V2044	DOOR BUSH	
3	0V3115	COLUMN PINION PROTECTION	
4	0V3044	DRUM DISK ROTATION PINION	
5	250602	RATIOMOTOR - USA -	
6	0V3056	MOTOR ADJUSTING FLANGE	
7	0V3137	DOOR STOP ROD PIN	
8	0V3136	DOOR STOP ROD	
9	0V3135	DOOR STOP ROD BUSH	
10	985318	NUT	
11	0V3042	FRONT DOOR GASKET	
12	0V3178	FRONT COVER	UNTIL SERIAL NUMBER 71501579
12	253640	FRONT COVER	FROM SERIAL NUMBER 71501580
13	0V3120	DOOR SWITCH ACTUATION	
14	0V0601	ROLLER	
15	0V3175	DOOR ROLLER SUPPORT	
16	0V3174	LOWER HINGE	
17	0V3059	AIR INLET DUCT	
18	0V3057	LOWER CENTERING BUSHING	
19	0V3046	REAR CENTERING COLLAR	
20	0V3045	FRONT CENTERING COLLAR	
21	0V3111	LAMP SUPPORT	
22	252124	4 FEET KIT	
23	250604	STARTER	
24	987689	LAMP PROTECTION	
25	094159	FIXING PLUG	
26	094073	LOCK SPRING GRINDER AND COFFEE GROU	
27	985532	NEON LIGHT 36 WATT	
28	987958	LAMP-HOLDER W/STARTER-HOLDER	
29	0V3113	LAMP COVER	
30	099783	LAMP-HOLDER	
31	250606	REAR COVER	
32	0V3110	SPACER PREVENTING AIR RECIRCULATION	
33	0V3403	FEET COVER -BLACK-	
34	250595	INSIDE LAMP WIRING -USA -	
35	096682	SCREW 6X18	
36	0V3041	CORE HITCH PLUG	
37	250607	LEVELLING FOOT	



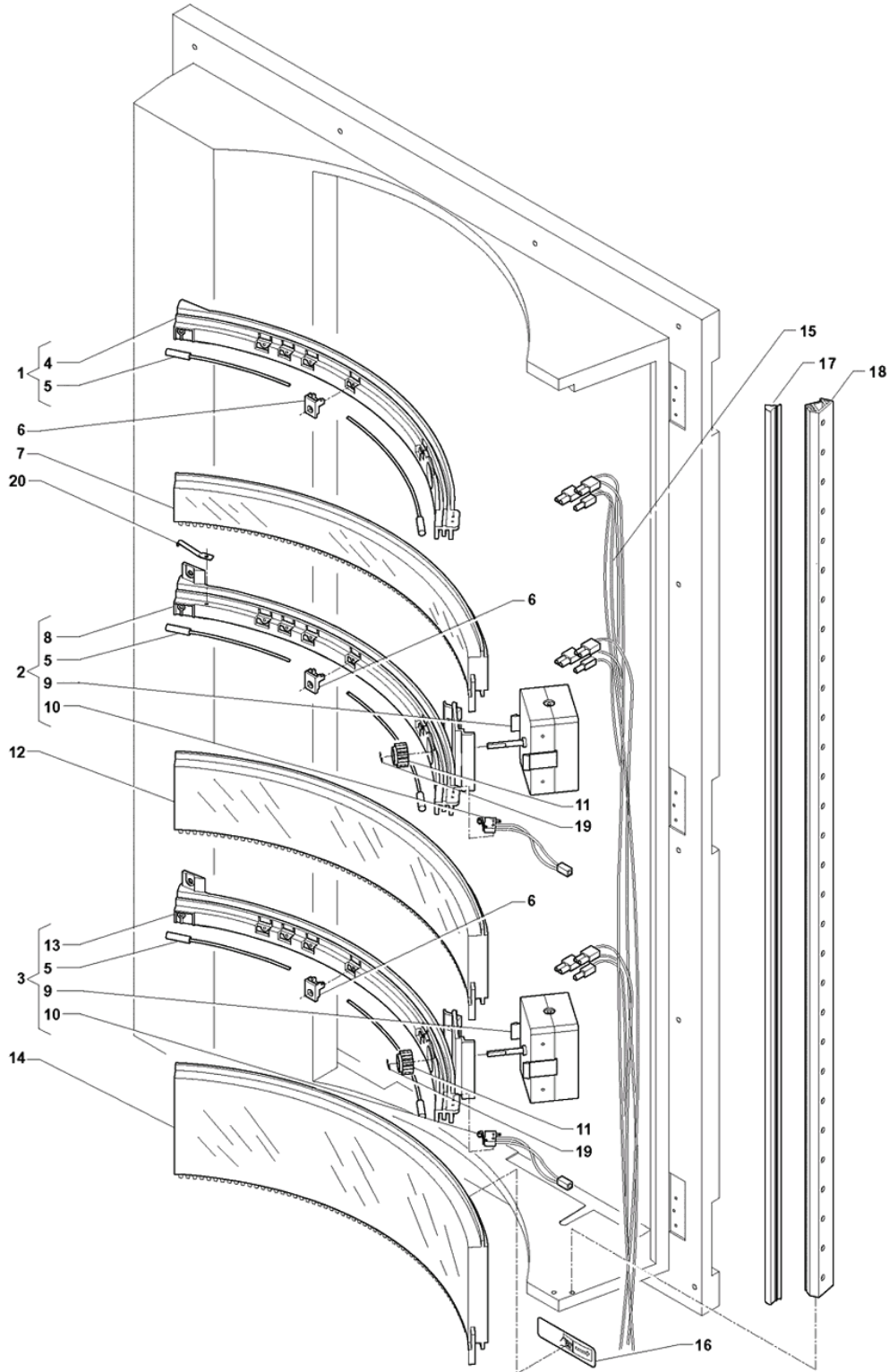
	Code	Description	Notes
1	250600	ELECTRICAL PANEL -USA -	
2	250618	FUSE 6.3X32 2 AMP	
3	250619	FUSE 6.3X32 3 AMP	
4	250620	FUSE 6.3X32 5 AMP	
5	097809	FUSE 3.15 AMP. DELAYED ACTION	
6	0V3201	FUSE HOLDER	
7	0V3200	DOUBLE-POLE SWITCH	
8	097175	CARD SPACER	
9	250329	120V - 60HZ BALLAST	
10	987652	SUPPLY FILTER	
11	0V3202	OUT/R CARD. 6 RELAYS	
12	094900	DIODE BRIDGE	
13	097242	SUB-TERMINAL BOARD	
14	098793	5P TERMINAL BOARD WITH FUSE-HOLDER	
15	250995	TERMINAL BLOCK -UL -	
16	250614	G 120/0 TRANSFORMER -USA -	
17	090148	CLIP	
18	0V3203	POWER SUPPLY CARD	
19	250616	REMOTE CONTROL SWITCH -USA-	
20	250615	ELECTRICAL PANEL WIRING -USA -	
21	250613	PANEL COVER	
22	0V0497	FUSE-HOLDER 110V	
23	250617	FUSE 10X38 20 AMP	



	Code	Description	Notes
1	0V3223	DRUM DISK SET H=50	
2	0V3186	DRUM DISK SET H=90	
3	0V3224	DRUM DISK SET H=130	
4	091842	OUTER FIXING COLLAR D.2.3	
5	0V3064	WHEEL	
6	0V3144	WHEEL PIN	
7	0V3065	AIR LOCK REGULATOR	
8	0V3052	DRUM HALF DISK BUSH AND CONTROL	
9	0V3050	DRUM HALF DISK SUPPORTING BUSH H=90	
10	0V3049	DRUM HALF DISK SUPPORTING BUSH H=50	
11	0V3053	AIR LOCK FOR DRUM DISK H=50	
12	091959	BENZING COLLAR DIAM MM4	
13	101181	CLASP LOWER	
14	0V3063	SLIDING ROLL	
15	099880	GASKET	
16	0V3096	LOWER DRUM HALF DISK DIAM. 700	
17	0V3217	INNER TIEROD H=50	
18	0V3218	OUTER TIEROD H=50	
19	101180	CLASP UPPER	
20	0V3095	UPPER DRUM HALF DISK DIAM. 700	
21	0V3126	MAGNET	
22	0V3060	SEPARATOR H=50	
23	0V3047	DRUM DISK PLUG H=50	
24	0V3048	DRUM DISK PLUG H=90	
25	0V3142	COLUMN TIEROD	
26	986614	NUT FLANGED	
27	0V3054	AIR LOCK FOR DRUM DISK H=90	
28	0V3061	SEPARATOR H=90	
29	0V3145	INNER TIEROD H=90	
30	0V3146	OUTER TIEROD H=90	
31	0V3055	AIR LOCK FOR DRUM DISK H=130	
32	0V3062	SEPARATOR H=130	
33	0V3219	INNER TIEROD H=130	
34	0V3220	OUTER TIEROD H=130	
35	0V3051	DRUM HALF DISK SUPPORTING BUSH H=130	
36	0V3883	DRUM DISK PLUG H=130	
37	0V3884	BUSH FOR STOPPER H=130	
38	250249	24 BOUND PIECES 'STARFOOD'	

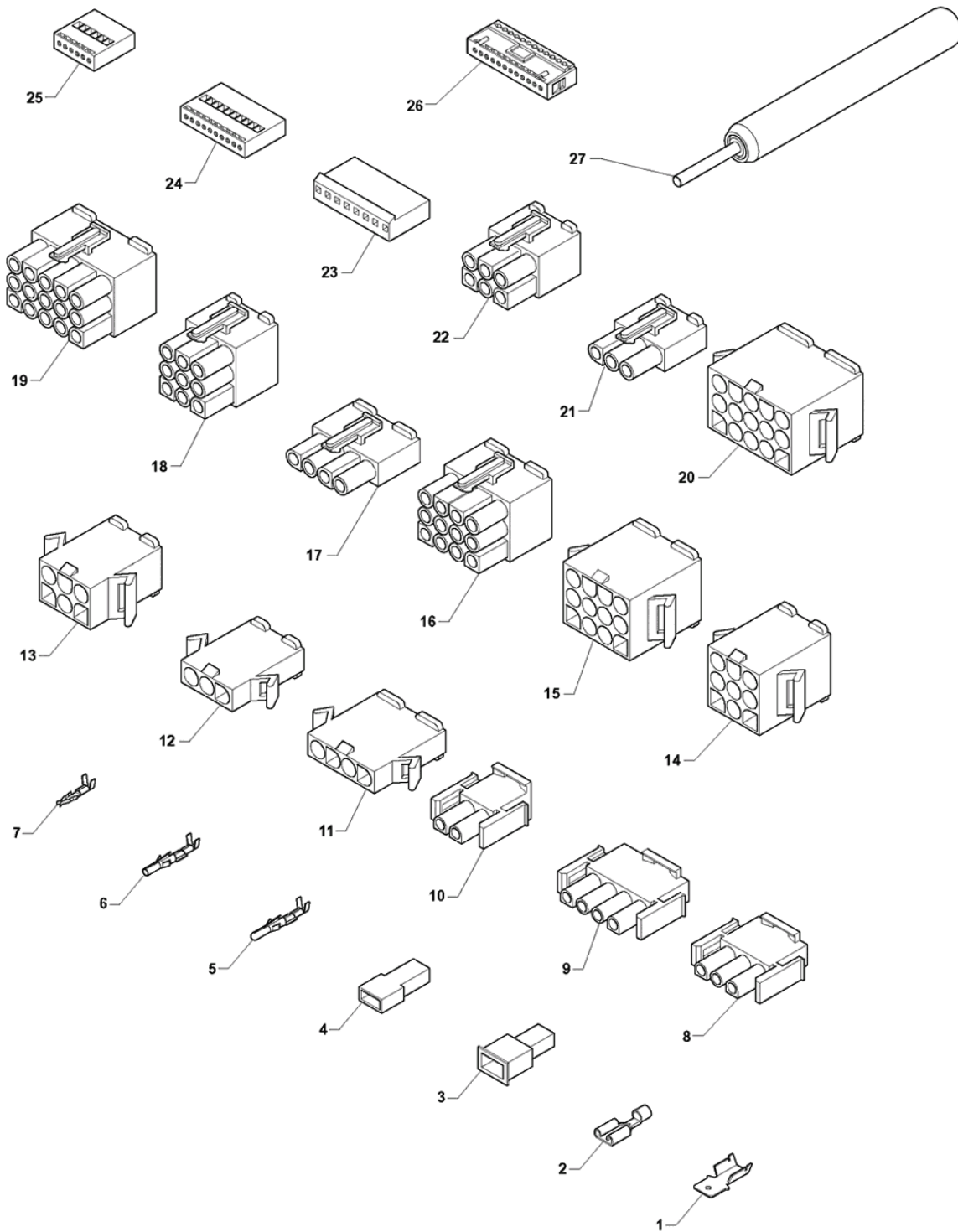


	Code	Description	Notes
1	250610	MAGNET SUPPORT ASSY -USA -.	
2	250605	ELECTROMAGNET 24 VOLT-60HZ	
3	0V3071	CORE FIXING PIN	
4	0V3038	RUBBER PIECE	
5	0V3070	MAGNET CORE PIN	
6	0V3140	MAGNET CORE LEVER	
7	987709	PROXIMITY SWITCH	
8	0V3068	ANTI-REVOLUTION LEVER	
9	0V3139	LEVER RETURN SPRING	
10	987703	SOCKET PEDESTAL	
11	0V3066	MAGNET SUPPORT	
12	0V3141	COUNTER LEVER SPRING	
13	987706	MICROSWITCH	
14	0V3069	SEPARATOR COUNTER LEVER	
15	0V3067	MAGNET COMPARTMENT PLUG	
16	0V3126	MAGNET	
17	250593	MAGNET WIRING - USA -	



	Code	Description	Notes
1	0V3182	UPPER GUIDE ASSY	
2	250608	MIDDLE GUIDE ASSY -USA -	
3	250609	LOWER GUIDE ASSY -USA -	
4	0V3091	UPPER SLIDER GUIDE	
5	0V3154	ANTI-CONDENSATE HEATING ELEMENT	
6	0V3093	SLIDER STOP BLOCK	
7	0V3099	PRODUCT SLIDER H=50	
8	0V3090	INTERMEDIATE SLIDER GUIDE	
9	0V3097	SLIDER DRIVE REDUCTION GEARMOTOR	
10	250596	SLIDER MICROSWITCH WIRING-USA-	
11	0V3043	SLIDER DRIVE PINION	
12	0V3098	PRODUCT SLIDER H=90	
13	0V3092	LOWER SLIDER GUIDE	
14	0V3100	PRODUCT SLIDER H=130	
15	250592	SLIDER WIRING -USA -	
16	0V3153	SLIDER ADHESIVE LABEL	
17	0V3148	BRUSH-TYPE GASKET	
18	0V3094	GASKET SUPPORT PROFILE	
19	250017	OUTER FIXING COLLAR D.MM 6	
20	0V4109	SLIDER SPRING	

	Code	Description	Notes
1	250611	COOLING UNIT - 115V-60HZ	
2	250625	AXIAL FAN - 115V-60HZ -	
3	0V3206	FAN COVER	
4	250612	TEMPERATURE PROBE	
5	250621	SENSOR WIRING -USA -	
6	0V3040	PIPE THROUGH	
7	0V3216	EVAPORATOR	
8	250624	ELECTRIC FAN -115V-60HZ	
9	987985	230-340 FAN	
10	250623	REFRIGERATOR WIRING -USA -	
11	0V3039	EVAPORATOR CONTAINER GASKET	
12	0V3101	EVAPORATOR CONTAINER	
13	0V3037	CONDENSATE COLLECTION TRAY	
14	250542	DEHYDRATOR FILTER	
15	250626	T6213Z COMPRESSOR -115V-60HZ	
16	0V3064	WHEEL	
17	0V3144	WHEEL PIN	
18	091959	BENZING COLLAR DIAM MM4	
19	250622	COMPRESSOR WIRING -USA -	
20	250627	HOT GAS ELECTROVALV -120V-60HZ	
21	985603	RECHARGE VALVE	
22	250628	CAPACITOR	
23	0V3207	LIFT PIN	
24	0V3208	SLIDING WHEEL	
25	0V3118	UNIT HOLDING SQUARE	



	Code	Description	Notes
1	090957	EYELET TERMINAL	
2	090959	FASTON W/O TONGUE	
3	091192	FASTON COVER	
4	090247	FEMALE FASTON COVER	
5	095955	TERMINAL MALE	
6	096136	TERMINAL FEMALE	
7	094405	TERMINAL FEMALE 2.5	
8	094954	FEMALE HOLDER CONNECTOR 3-WAYS	
9	098062	4-WAY CONNECTOR MATE-N-LOK AMP	
10	094955	FEMALE HOLDER CONNECTOR 2-WAYS	
11	0V0809	4-PIN CONNECTOR/P MOLEX 3191	
12	0V0808	3-PIN CONNECTOR/P MOLEX 3191	
13	0V0810	6-PIN CONNECTOR/P MOLEX 3191	
14	0V0811	9-PIN CONNECTOR/P MOLEX 3191	
15	0V0812	12-PIN CONNECTOR/P MOLEX 3191	
16	0V0818	12-PIN CONNECTOR/P MOLEX 3191	
17	0V0815	4-PIN CONNECTOR/P MOLEX 3191	
18	0V0817	9-PIN CONNECTOR/P MOLEX 3191	
19	0V0819	15-PIN CONNECTOR/P MOLEX 3191	
20	0V0813	15-PIN CONNECTOR/P MOLEX 3191	
21	0V0814	3-PIN CONNECTOR/P MOLEX 3191	
22	0V0816	6-PIN CONNECTOR/P MOLEX 3191	
23	093993	CHASER CONNECTOR FEMALE HOLDER 10-W	
24	094404	FEMALE HOLDER CONNECTOR 12-WAYS 2.5	
25	094712	FEMALE HOLDER CONNECTOR STOKO 6-WAY	
26	094961	FEMALE HOLDER CONNECTOR P.I. 12-W	
27	0V0820	MOLEX CONTACT PULLER	